



Stealth Full Cut Off LED Wall Pack Fixture, Suitable for wet locations, Perfect for lighting up Residential Exteriors, Walkways, Entry Ways, Perimeters, Parking Garages, School Campuses, Industrial/Commercial Spaces.

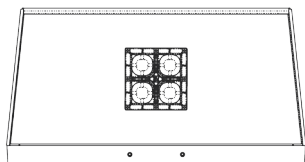
- Dark sky compliant and up light option.
- 10 year/100,000 hour limited warranty.

Features

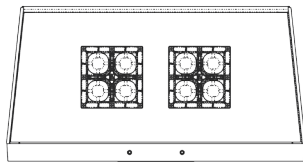
- Energy Savings: Over 66% compared to HID light sources
- Improved lumen maintenance
- Utilizes high efficient Lumiled LED's
- Operating temperatures: -30°C ~ 60°C
- Driver: Constant current, 120-277v, 50/60Hz, 480v (Optional)
- Suitable for wet locations.
- 0-10 Dimming Driver, Occupancy Sensors or PhotoCell, Emergency Battery Pack(Optional)

Construction

- Housing is heavy-Duty Aluminum
- 3 Mil Powder Coat Finish.
- Clear Optical System
- Silicone gasket to prevent leakage and provide weather-tight protection.
- Mounting: Over 4" "J" Box.

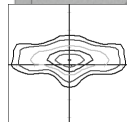


STH-II up to 50W

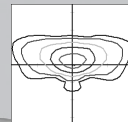


STH-II up to 100W

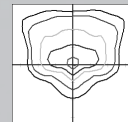
OPTIC DISTRIBUTION



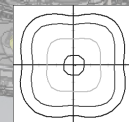
TYPE 2 (T2)



TYPE 3 (T3)



TYPE 4 (T4)

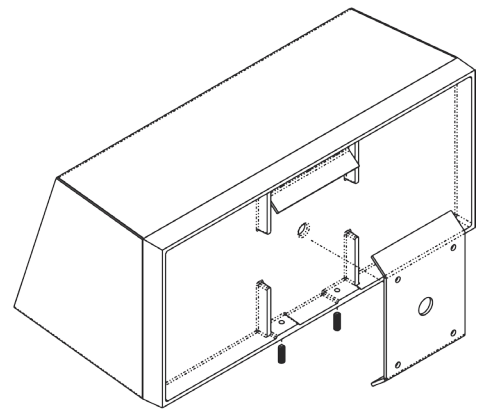
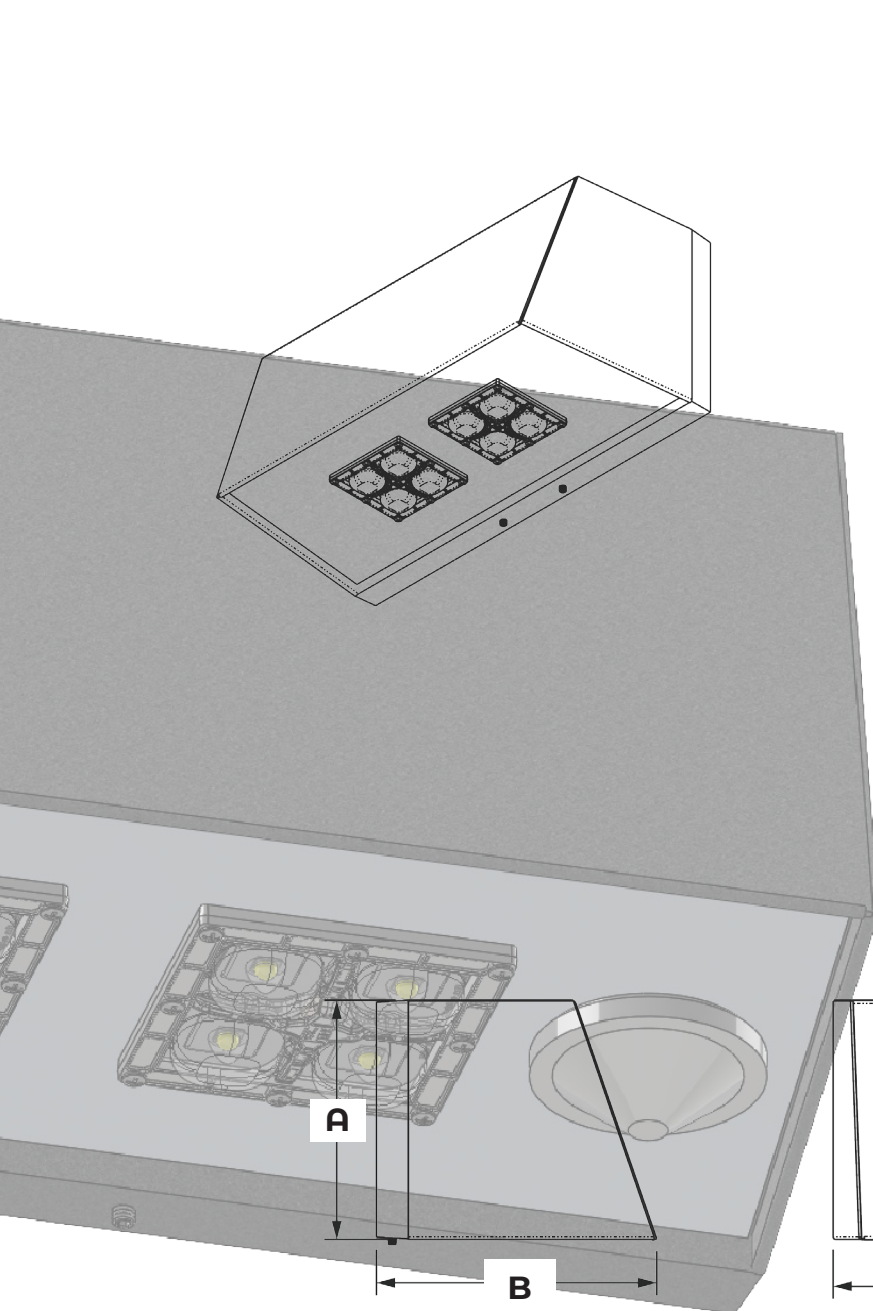


TYPE 5 (T5)

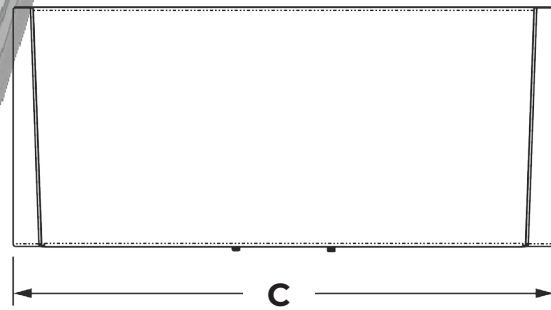
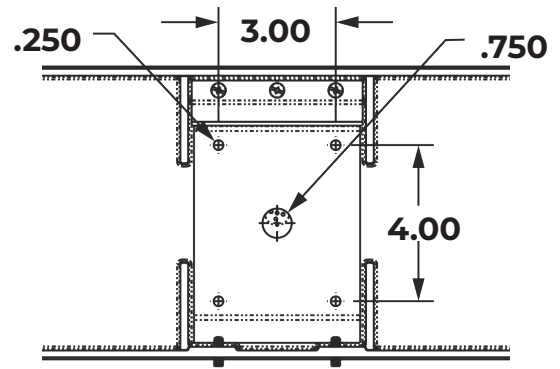
Example: STH-II-20CLED-T2-40K-MV-BZ-PC



Cat #	Wattage	Light Dist.	Color Temp.	Voltage	Finish	Options
Stealth II (STH-II)	20W (20CLED)	Type 2 (T2)	3000K (30K)	120-277V (MV)	Black (BLK)	Motion Sensor (OCC)
	40W (40CLED)	Type 3 (T3)	4000K (40K)	480V (HV)	White (WHT)	Button Photo Cell (PC)
	50W (50CLED)	Type 4 (T4)	5000K (50K)		Silver (SLR)	Wireless controls (WC)
	60W (60CLED)	Type 5 (T5)			Bronze (BRZ)	Emergency Battery Pack (EMR)
	80W (80CLED)				Graphite (GPH)	
100W (100CLED)				Custom (CST)		



Mounting Dimensions



Dimensions				
Cat#	A	B	C	EPA
STH-II	7.50	8" 7/8	17	.88

Cat #	Input Power	Lumen Output	LPW	Color Temp. (CCT)	CRI	Rated Life (L70)	Input Voltage	HID Equivalent
STH-II-20CLED	25W	2958	147	5000K	70+	>200,000	120-277V	70W MH
STH-II-40CLED	45W	5449	136	5000K	70+	>200,000	120-277V	150W HPS
STH-II-50CLED	55W	6589	131	5000K	70+	>200,000	120-277V	150W MH
STH-II-60CLED	65W	9625	160	5000K	70+	>200,000	120-277V	175W PSMH
STH-II-80CLED	85W	11938	149	5000K	70+	>200,000	120-277V	250W MH
STH-II-100CLED	105W	14042	140	5000K	70+	>200,000	120-277V	400W PSMH

Proudly Manufactured and Assembled in the USA