

**STEALTH**  
LED Wall Pack  
DESIGN-FUNCTION-QUALITY



*Crystal Lighting Corp.*





**Stealth** Full Cut Off LED Wall Pack Fixture, Suitable for wet locations, Perfect for lighting up Residential Exteriors, Walkways, Entry Ways, Perimeters, Parking Garages, School Campuses, Industrial/Commercial Spaces.

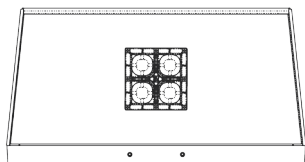
- Dark sky compliant and up light option.
- 10 year/100,000 hour limited warranty.

**Features**

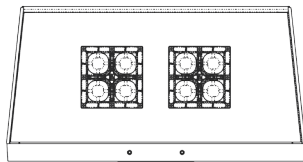
- Energy Savings: Over 66% compared to HID light sources
- Improved lumen maintenance
- Utilizes high efficient Lumiled LED's
- Operating temperatures: -30°C ~ 60°C
- Driver: Cconstant current, 120-277v, 50/60Hz, 480v (Optional)
- Suitable for wet locations.
- 0-10 Dimming Driver, Occupancy Sensors or PhotoCell, Emergency Battery Pack(Optional)

**Construction**

- Housing is heavy-Duty Aluminum
- 3 Mil Powder Coat Finish.
- Clear Optical System
- Silicone gasket to prevent leakage and provide weather-tight protection.
- Mounting: Over 4" "J" Box.

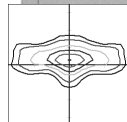


STH-II up to 50W

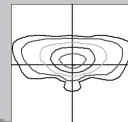


STH-II up to 100W

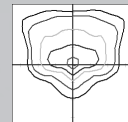
**OPTIC DISTRIBUTION**



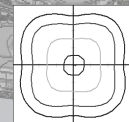
TYPE 2 (T2)



TYPE 3 (T3)



TYPE 4 (T4)

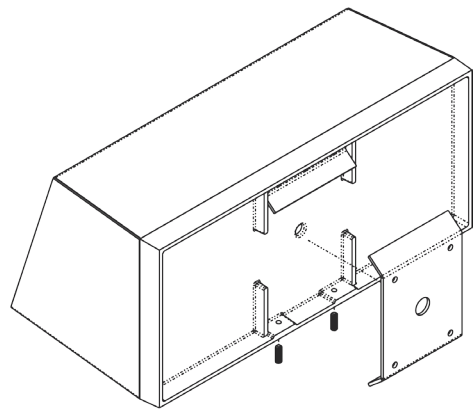
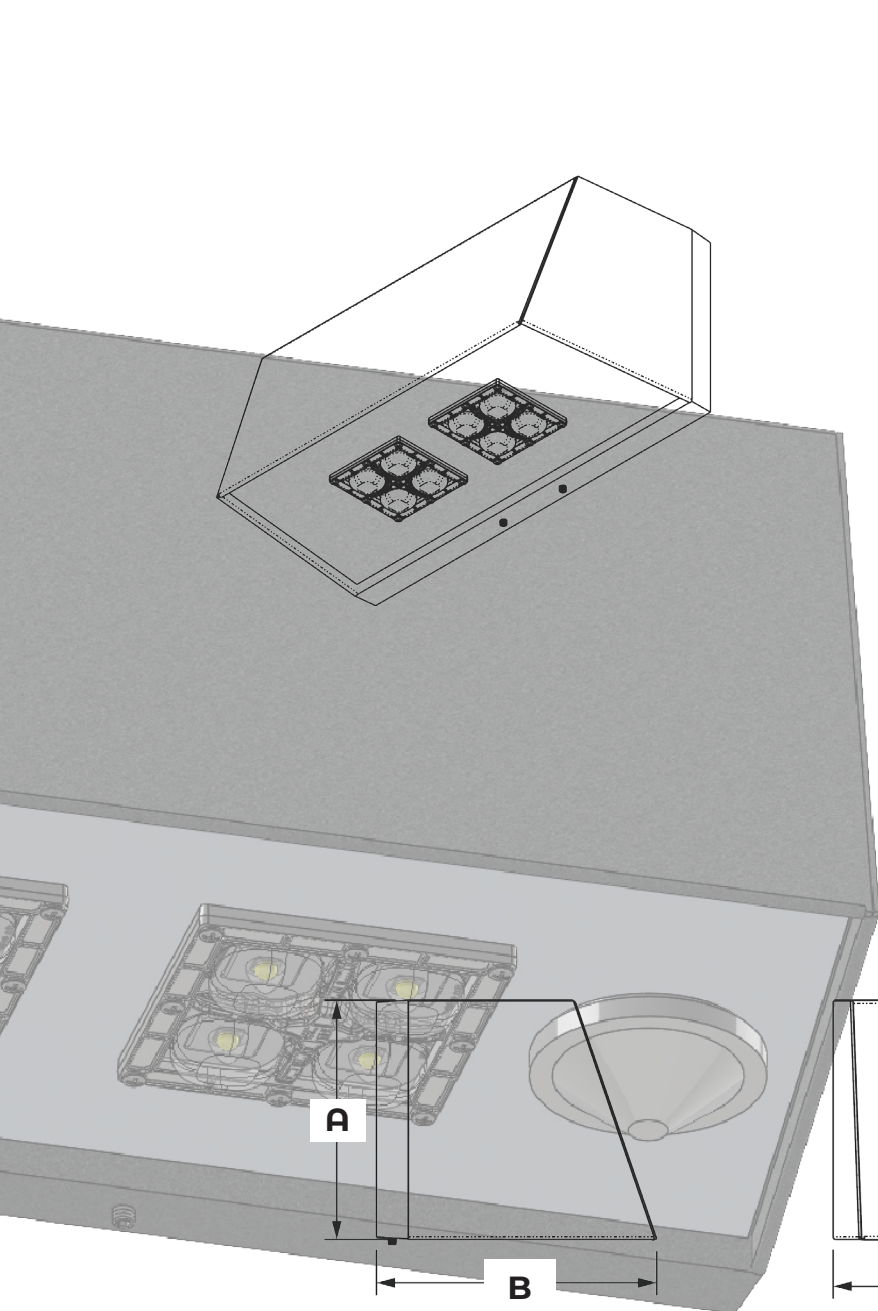


TYPE 5 (T5)

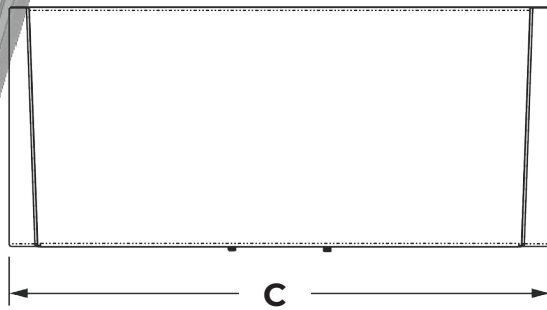
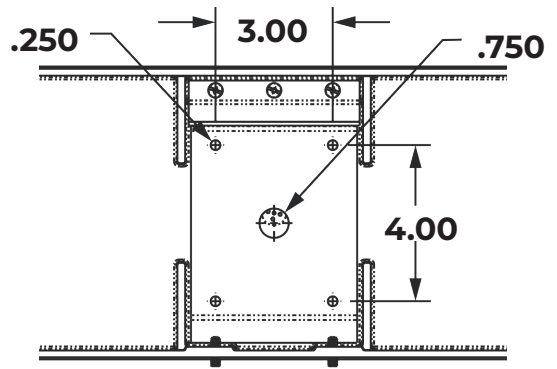
Example: STH-II-20CLED-T2-40K-MV-BZ-PC



Cat #	Wattage	Light Dist.	Color Temp.	Voltage	Finish	Options
<b>Stealth II (STH-II)</b>	20W <b>(20CLED)</b>	Type 2 <b>(T2)</b>	3000K <b>(30K)</b>	120-277V <b>(MV)</b>	Black <b>(BLK)</b>	Motion Sensor <b>(OCC)</b>
	40W <b>(40CLED)</b>	Type 3 <b>(T3)</b>	4000K <b>(40K)</b>	480V <b>(HV)</b>	White <b>(WHT)</b>	Button Photo Cell <b>(PC)</b>
	50W <b>(50CLED)</b>	Type 4 <b>(T4)</b>	5000K <b>(50K)</b>		Silver <b>(SLR)</b>	Wireless controls <b>(WC)</b>
	60W <b>(60CLED)</b>	Type 5 <b>(T5)</b>			Bronze <b>(BRZ)</b>	Emergency Battery Pack <b>(EMR)</b>
	80W <b>(80CLED)</b>				Graphite <b>(GPH)</b>	
	100W <b>(100CLED)</b>				Custom <b>(CST)</b>	



**Mounting Dimensions**



Dimensions				
Cat#	A	B	C	EPA
STH-II	7.50	8" 7/8	17	.88

Cat #	Input Power	Lumen Output	LPW	Color Temp. (CCT)	CRI	Rated Life (L70)	Input Voltage	HID Equivalent
STH-II-20CLED	25W	2958	147	5000K	70+	>200,000	120-277V	70W MH
STH-II-40CLED	45W	5449	136	5000K	70+	>200,000	120-277V	150W HPS
STH-II-50CLED	55W	6589	131	5000K	70+	>200,000	120-277V	150W MH
STH-II-60CLED	65W	9625	160	5000K	70+	>200,000	120-277V	175W PSMH
STH-II-80CLED	85W	11938	149	5000K	70+	>200,000	120-277V	250W MH
STH-II-100CLED	105W	14042	140	5000K	70+	>200,000	120-277V	400W PSMH

Proudly Manufactured and Assembled in the USA



Crystal Lighting  
13182 Flores ST.  
Santa Fe Springs , CA. 90670  
Ph: 562-944-0223  
[www.crystallighting.us](http://www.crystallighting.us)

Proudly manufactured and assembled in the USA

Rev. 11/5/2020