

DA-M156 is Constructed of Extruded Aluminum Tubing and Cast Aluminum Arm (356 Alloy) . Arm mount over Round Poles or Tenons of 3", 3-1/2", 4", 4-1/2", or 5" OD, and is Secured with 3/8" Stainless Steel Set Screws. Contact us for custom configuration or others mounting.
 All Decorative Arms are Proudly Designed, Fabricated and Assembled in the USA.

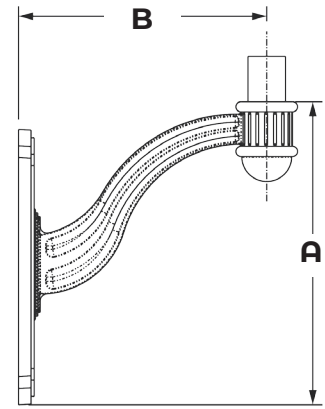
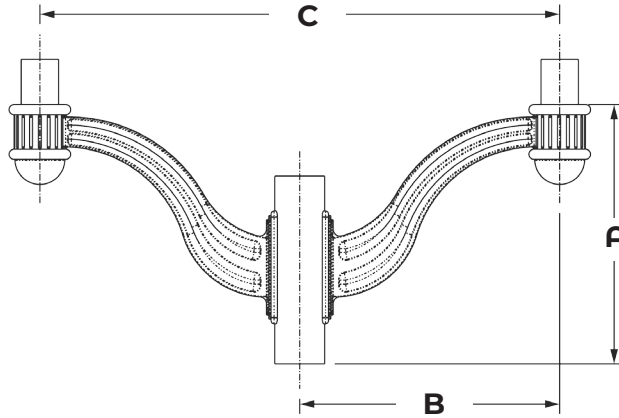
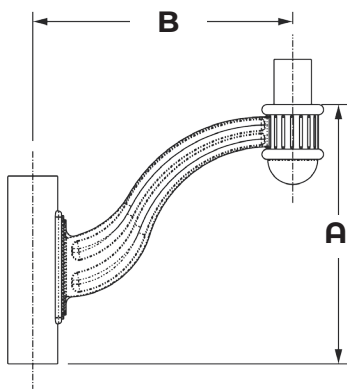
DA-M156-SGL



DA-M156-D180



DA-M156-WM



Cat#	Dimensions			EPA
	A	B	C	EPA
DA-M156-SGL	20" 3/4	20" 7/8	-	1.18
DA-M156-D180	20" 3/4	20" 7/8	41".5/8	1.36
DA-M156-WM	24" 1/4	19" 7/8	-	1.25



Example: (DA-M156-SGL-3-BLK)

DA-M156			
Cat #	Mounting	Diameter (Pole or Tenon)	Color
Decorative Arm M156 (DA-M156)	Single (SGL)	3" OD (3)	Black (BLK)
	Double 180° (D180)	3" 1/2 OD (312)	White (WH)
	Wall Mount (WM)	4" OD (4)	Bronze (BRZ)
		4" 1/2 OD (412)	Silver (SIL)
		5" OD (5)	Graphite (GPH)
			Custom (CST)