



CLP-MS has an elegant design that adds style and class to any location. **CLP-MS** fixture is suitable for townships, parks, walkways, housing communities, and driveways. Internally, the **CLP-MS** is Durable, Reliable.

Warranty:

-10 year/100,000 hour Limited Warranty.

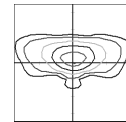
Features:

- Energy Savings: Over 66% compared to HID light sources.
- Improved Lumen Maintenance.
- Utilizes High efficient Lumiled LED's.
- Operating Temperatures: -30°C ~ 60°C.
- Driver: 120-277V (MV) or 480V (HV) (Optional).
- IP65 / IP67 Rated.
- 0-10 Dimming Driver, Occupancy Sensors, Photo Cell or Wireless Controls (Optional)

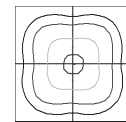
Construction:

- Corrosion-Resistant Cast Aluminum Housing
- 3 Mil Powder Coat Finish.
- *Froster Acrylic Lens (FAL)(Standard)
- Silicone Gasket to provide Weather-Tight Protection Enclosure (IP65 Rated).
- Mounting: Over of a 3" Round Pole (Adapter is required for other mounting)

Optic Distribution.



Type 3 (T3)



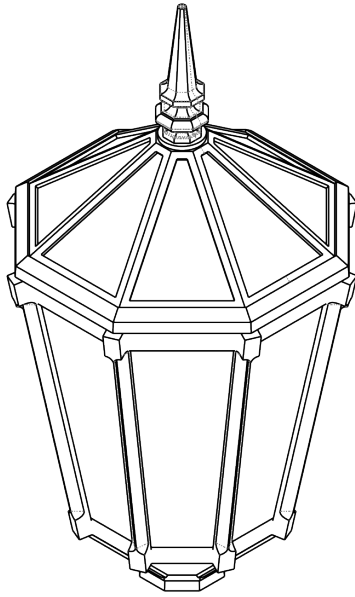
Type 5 (T5)

Example: CLP-MS1-20CLEd-T3-40K-MV-BRZ-PC

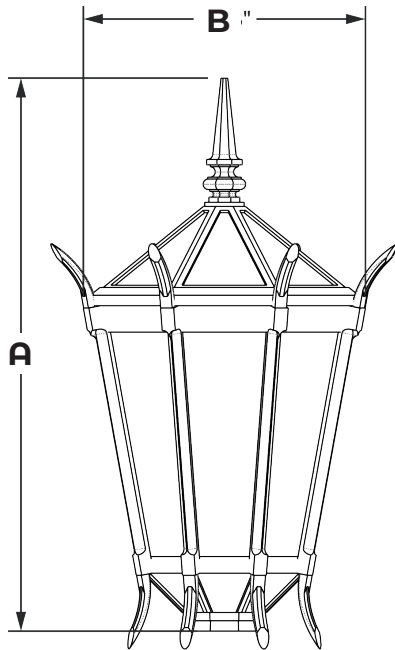
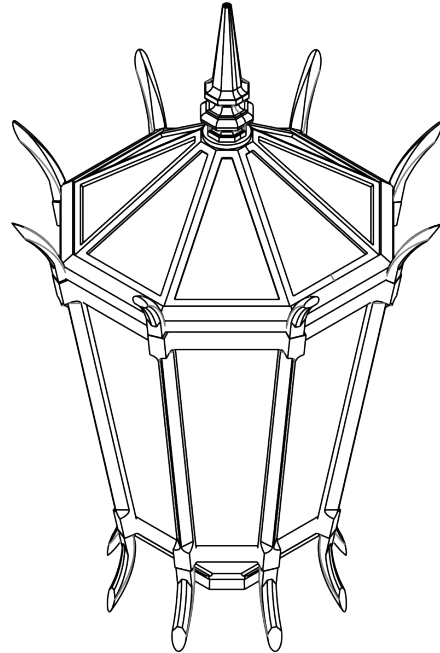


| Cat # | Wattage | Light Dist. | Color Temp. | Voltage | Color | Mounting | Options |
|------------------------------|------------------------|-----------------------|-----------------------|-------------------------|-----------------------------|-----------------------|---|
| CLP-MS-1 (CLP-MS1) | 20W (20CLEd) | Type 3 (T3) | 3000K (30K) | 120-277V (MV) | Black (BLK) | 3" OD (3RN) | Occupancy Sensor (Remote) (OCC) |
| | 40W (40CLEd) | Type 5 (T5) | 4000K (40K) | 480V (HV) | White (WH) | | Button Photo Cell (PC) |
| CLP-MS-2 (CLP-MS2) | 60W (60CLEd) | | 5000K (50K) | | Bronze (BRZ) | | Wireless controls (WC) |
| | 80W (80CLEd) | | | | Silver (SIL) | | Opal Acrylic Lens (OAL) |
| | | | | | Graphite (GPH) | | *Frosted Acrylic Lens (Standard) (FAL) |
| | | | | | Marine Grade (MG) | | |

CLP-MS1



CLP-MS2



| CLP-MS Dimensions | | | |
|-------------------|-----|-----|-----|
| Cat# | A | B | EPA |
| CLP-MS | 32" | 17" | |

| Cat # | Input Power | Lumen Output | LPW | Color Temp. (CCT) | CRI | Rated Life (L70) | Input Voltage | HID Equivalent | HID Equivalent |
|---------------|-------------|--------------|-----|-------------------|-----|------------------|---------------|----------------|----------------|
| CLP-MS-20CLED | 25W | 3,120 | 156 | 5000K | 70+ | >200,000 | 120-277V | 50/60HZ | 100W MH |
| CLP-MS-40CLED | 45W | 5,475 | 136 | 5000K | 70+ | >200,000 | 120-277V | 50/60HZ | 150W MH |
| CLP-MS-60CLED | 65W | 8,784 | 146 | 5000K | 70+ | >200,000 | 120-277V | 50/60HZ | 175W MH |
| CLP-MS-80CLED | 85W | 10,841 | 135 | 5000K | 70+ | >200,000 | 120-277V | 50/60HZ | 175W MH |

Proudly Manufactured and Assembled in the USA