

The CL-3052 is available in two different sizes and in multiple finishes to choose from to suit desired requirements. It also includes an acrylic lens. The CL-3052 fixture is commonly installed in interior facilities such as residential homes, indoor shopping areas, offices, and restaurants.

-10 Year Limited Warranty.

Features

- Driver 120/277, 0-10v Dimming Driver.
- Available in 30K/80CRI Standard, 40K, 50k or 90CRI is Optional
- Suitable for damp locations.
- Other options available (see ordering guide below)
- 10 Year warranty

Construction

- Housing Heavy Gauge Aluminum / Opal Lens.
- 3 mil Powder Coating
- Opal Acrylic Lens (Standard)
- Multiple finishes to choose from (see ordering guide)

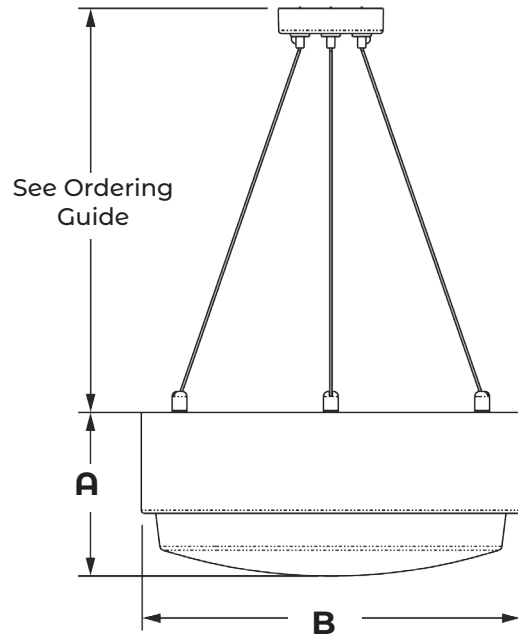
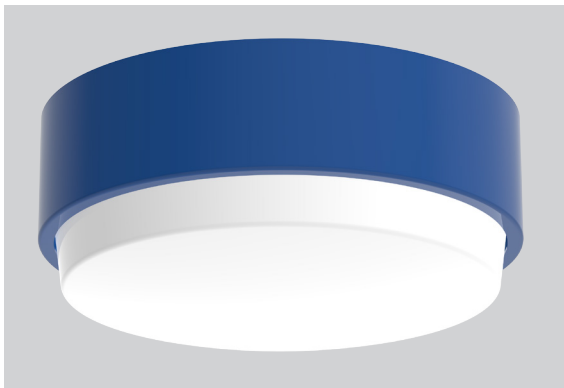
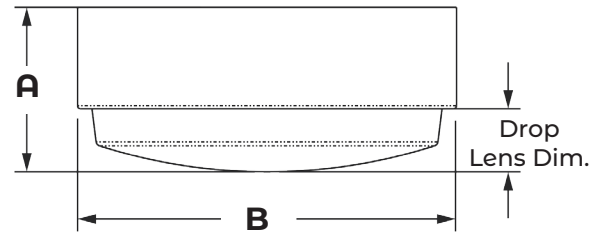


Example: CL-3052-SM-20LED-30K-80CRI-MV-FSH-BZ-CM



| Cat # | Wattage | Color Temp. | CRI | Voltage | Drop Lens | Finish | Mounting | Options |
|------------|------------------|----------------|------------------|------------------|------------------|---|---|-------------------------------|
| CL-3052-SM | 10W (10CLEDD) | 3000K (30K) | 80CRI (80CRI) | 120-277V (MV) | Flush (FSH) | Flat Black (FBLK) Glossy Black (GBLK) | Ceiling Mount (CM) | Occupancy Sensor (OCC) |
| CL-3052-LG | 20W (20CLEDD) | 4000K (40K) | 90CRI (90CRI) | | 1" DROP (1DP) | White (WHT) Silver (SLR) Bronze (BRZ) | Aircraft Cable Length | Emergency Battery (EMR) |
| | 30W (30CLEDD) | 5000K (50K) | | | 2" DROP (2DP) | Red (RD) Yellow (YW) Orange (OR) | (1"AC) (2"AC) (3"AC) (4"AC) Custom (CST) | |

| Cat# | A | B |
|-----------|---------|-----|
| CL-3052-S | 6" 1/2" | 13" |
| CL-3052-L | 6" 1/2" | 16" |



| Cat # | Input Power | Lumen Output | Color Temp. (CCT) | CRI | Rated Life (L70) | Input Voltage |
|--------------------|-------------|--------------|-------------------|-----|------------------|---------------|
| CL-3052-10CLED-S/L | 15W | 800 | 3000K | 80+ | >200,000 | 120-277V |
| CL-3052-20CLED-S/L | 25W | 1,600 | 3000K | 80+ | >200,000 | 120-277V |
| CL-3052-30CLED-S/L | 35W | 3,836 | 3000K | 80+ | >200,000 | 120-277V |

Proudly Manufactured and Assembled in the USA