

**Pole Shaft**

Pole shaft shall be weldable-grade, cold-rolled, commercial quality carbon steel tubing conforming to ASTM A500 Grade B. Tubing has minimum yield strength of 45,000 PSI. CL-RSS includes ground Lug welded inside opposite of Hand Hole. Options include 11 and 7 gauge.

**Base Plate**

4-Bolt Steel Plate base is manufactured from hot rolled carbon steel conforming to ASTM-A36 or equivalent (36,000 PSI) 3/4" thick Steel for poles up to 20ft and 1" thick for poles 21ft to 30ft.

**Powder Coating.**

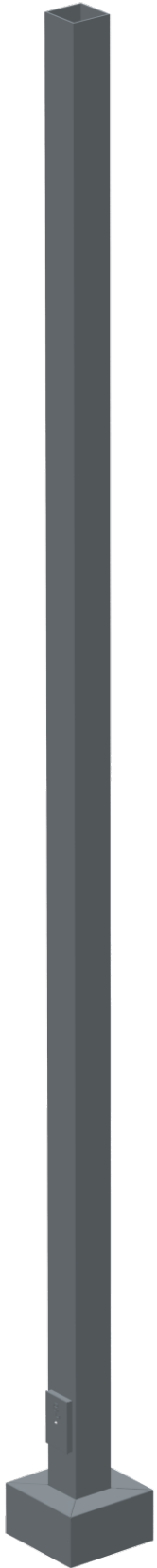
All poles are sandblast prior to painting, Powder coat is applied to a minimum of 3 millimeters and baked at 400 °F temperature. CL-SSS come with (3) three years warranty.

**Anchor Bolts.**

Anchor bolt Kit includes 4 L-Shaped Hot Dip Galvanized Bolts, each anchor bolt come with two galvanized nuts and washer per bolt, Anchor bolts meet or exceed a minimum of 36,000 PSI and conform to ASTM F1554 grade 36.

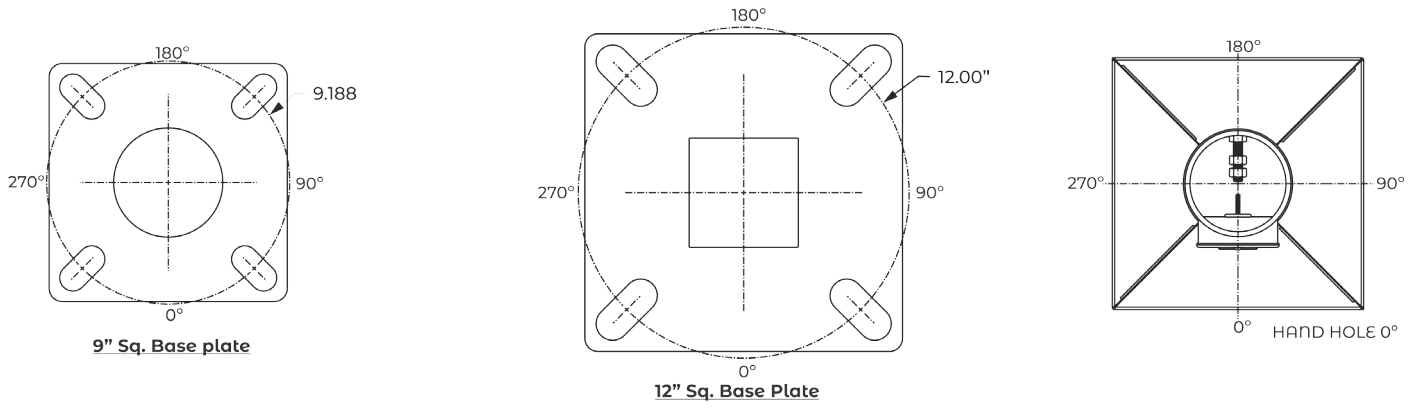
**Base Cover, Hand Hole Cover and Pole Cap.**

CL-SSS come with Removable Pole Cap and Aluminum Base Cover Powder Coated to match Pole. Cast Hand Hole Cover are provided with Internal bridge support and are powder coated to match pole.



Example: CL-SSS-10-4-7G-9BP-342-D180-BRZ-T3R

| Cat #                          | Height   | Pole O.D | Thickness | Bolt Circle | Anchor bolt | Mounting | Finish         | Options          |
|--------------------------------|----------|----------|-----------|-------------|-------------|----------|----------------|------------------|
| Square Straight Steel (CL-SSS) | 10' (10) | 4"SQ.    | .120"     | 8"3/16 -    | 3/4"x24"    | Single   | Bronze         | Tenon            |
|                                | 12' (12) | (4S)     | (11G)     | 10"3/16     | (342)       | (SGL)    | (BRZ)          | 2" 3/8 RND       |
|                                | 14' (14) | 5"SQ.    | .180"     | Bolt Circle | 1"x36"      | Double   | White          | (T2R)            |
|                                | 16' (16) | (5S)     | (7G)      | (10'-20')   | (136)       | (D-180)  | (WHT)          | 3'RND (T3R)      |
|                                | 18' (18) |          |           |             |             | Double   | Silver         | 3" 1/2RND        |
|                                | 20' (20) |          |           | 10" - 14"   |             | (D-90)   | (SVR)          | (T312R)          |
|                                | 22' (22) |          |           | Bolt Circle |             | Triple   | Green          | 4"RND (T4R)      |
|                                | 25' (25) |          |           | (21' Over)  |             | (T-90)   | (GRN)          | 4"1/2RND         |
|                                | 28' (28) |          |           | (12BP)      |             | Quad     | Black          | (T412R)          |
|                                | 30' (30) |          |           |             |             | (QD)     | (BLK)          | 3" 1/2SQ (T312S) |
|                                | 35' (35) |          |           |             |             |          | Graphite       | 4"1/2SQ (T412S)  |
|                                |          |          |           |             |             |          | (GPH)          | 5"1/2SQ (T412S)  |
|                                |          |          |           |             |             | Custom   | Round Base     |                  |
|                                |          |          |           |             |             | (CST)    | Cover (RBC)    |                  |
|                                |          |          |           |             |             | Marine   | GFI Provision  |                  |
|                                |          |          |           |             |             | Grade    | ONLY (GFIP)    |                  |
|                                |          |          |           |             |             | (MG)     | GFI KIT (GFIK) |                  |



| POLE EPA                   |           |           |              |             |            |       |        |        |        |        |        |
|----------------------------|-----------|-----------|--------------|-------------|------------|-------|--------|--------|--------|--------|--------|
| Maximum EPA (ft) allowance |           |           |              |             |            |       |        |        |        |        |        |
| Height                     | Pole Dia. | Thickness | Base Plate   | Bolt Circle | Bolts      | 90mph | 100mph | 110mph | 120mph | 130mph | 140mph |
| 10'                        | 4" SQ.    | 11G       | 3/4" X 9" SQ | 9"-3/16     | 3/4" X 24" | 28.6  | 22.6   | 21.0   | 17.2   | 14.4   | 12.0   |
| 12'                        | 4" SQ.    | 11G       | 3/4" X 9" SQ | 9"-3/16     | 3/4" X 24" | 23.0  | 18.0   | 16.6   | 13.6   | 11.0   | 9.2    |
| 14'                        | 4" SQ.    | 11G       | 3/4" X 9" SQ | 9"-3/16     | 3/4" X 24" | 18.6  | 14.4   | 13.2   | 10.6   | 8.6    | 7.0    |
| 16'                        | 4" SQ.    | 11G       | 3/4" X 9" SQ | 9"-3/16     | 3/4" X 24" | 15.4  | 11.6   | 10.6   | 8.4    | 6.6    | 5.1    |
| 18'                        | 4" SQ.    | 11G       | 3/4" X 9" SQ | 9"-3/16     | 3/4" X 24" | 12.4  | 9.2    | 8.4    | 6.4    | 4.8    | 3.5    |
| 20'                        | 4" SQ.    | 11G       | 3/4" X 9" SQ | 9"-3/16     | 3/4" X 24" | 10.0  | 7.2    | 6.4    | 4.7    | 3.3    | 2.2    |
| 20'                        | 4" SQ.    | 7G        | 3/4" X 9" SQ | 9"-3/16     | 3/4" X 24" | 16.4  | 12.6   | 11.4   | 9.0    | 7.0    | 5.5    |
| 20'                        | 5" SQ.    | 11G       | 1" X 12" SQ  | 12"-1/2     | 1" X 36"   | 15.2  | 11.2   | 10.0   | 7.4    | 5.4    | 3.8    |
| 20'                        | 5" SQ.    | 7G        | 1" X 12" SQ  | 12"-1/2     | 1" X 36"   | 28.6  | 22.0   | 20.2   | 16.2   | 13.0   | 10.4   |
| 22'                        | 4" SQ.    | 11G       | 3/4" X 9" SQ | 9"-3/16     | 3/4" X 24" | 8.2   | 5.6    | 4.9    | 3.3    | 2.1    | 1.0    |
| 22'                        | 4" SQ.    | 7G        | 3/4" X 9" SQ | 9"-3/16     | 3/4" X 24" | 13.6  | 10.2   | 9.2    | 7.1    | 5.4    | 4.1    |
| 25'                        | 4" SQ.    | 11G       | 3/4" X 9" SQ | 9"-3/16     | 3/4" X 24" | 5.4   | 3.4    | 2.8    | 1.4    | -      | -      |
| 25'                        | 4" SQ.    | 7G        | 3/4" X 9" SQ | 9"-3/16     | 3/4" X 24" | 10.6  | 7.6    | 6.8    | 5.0    | 3.5    | 2.2    |
| 25'                        | 5" SQ.    | 11G       | 1" X 12" SQ  | 12"-1/2     | 1" X 36"   | 8.8   | 5.6    | 4.8    | 2.8    | 1.3    | -      |
| 25'                        | 5" SQ.    | 7G        | 1" X 12" SQ  | 12"-1/2     | 1" X 36"   | 19.0  | 14.2   | 12.8   | 9.6    | 7.2    | 5.4    |
| 28'                        | 4" SQ.    | 11G       | 3/4" X 9" SQ | 9"-3/16     | 3/4" X 24" | 3.4   | 1.5    | 1.0    | -      | -      | -      |
| 28'                        | 4" SQ.    | 7G        | 3/4" X 9" SQ | 9"-3/16     | 3/4" X 24" | 10.6  | 7.6    | 6.8    | 5.0    | 3.5    | 2.2    |
| 28'                        | 5" SQ.    | 11G       | 1" X 12" SQ  | 12"-1/2     | 1" X 36"   | 6.2   | 3.1    | 2.3    | 1.0    | -      | -      |
| 28'                        | 5" SQ.    | 7G        | 1" X 12" SQ  | 12"-1/2     | 1" X 36"   | 16.5  | 11.5   | 10.3   | 7.1    | 6.8    | 3.1    |
| 30'                        | 4" SQ.    | 11G       | 3/4" X 9" SQ | 9"-3/16     | 3/4" X 24" | 4.0   | 1.5    | -      | -      | -      | -      |
| 30'                        | 5" SQ.    | 11G       | 1" X 12" SQ  | 12"-1/2     | 1" X 36"   | 6.4   | 4.0    | 3.4    | 2.0    | -      | -      |
| 30'                        | 5" SQ.    | 7G        | 1" X 12" SQ  | 12"-1/2     | 1" X 36"   | 12.6  | 8.8    | 7.6    | 5.2    | 3.2    | 1.8    |
| 30'                        | 6" SQ.    | 7G        | 1" X 12" SQ  | 12"-1/2     | 1" X 36"   | 20.4  | 14.6   | 13.0   | 9.2    | 6.4    | 4.0    |
| 35'                        | 5" SQ.    | 7G        | 1" X 12" SQ  | 12"-1/2     | 1" X 36"   | 7.6   | 4.5    | 3.6    | 1.6    | -      | -      |
| 35'                        | 6" SQ.    | 7G        | 1" X 12" SQ  | 12"-1/2     | 1" X 36"   | 13.6  | 8.8    | 7.4    | 4.2    | 1.9    | -      |
| 39'                        | 6" SQ.    | 7G        | 1" X 12" SQ  | 12"-1/2     | 1" X 36"   | 9.0   | 4.8    | 3.6    | 1.0    | -      | -      |

Proudly Manufactured and Assembled in the USA