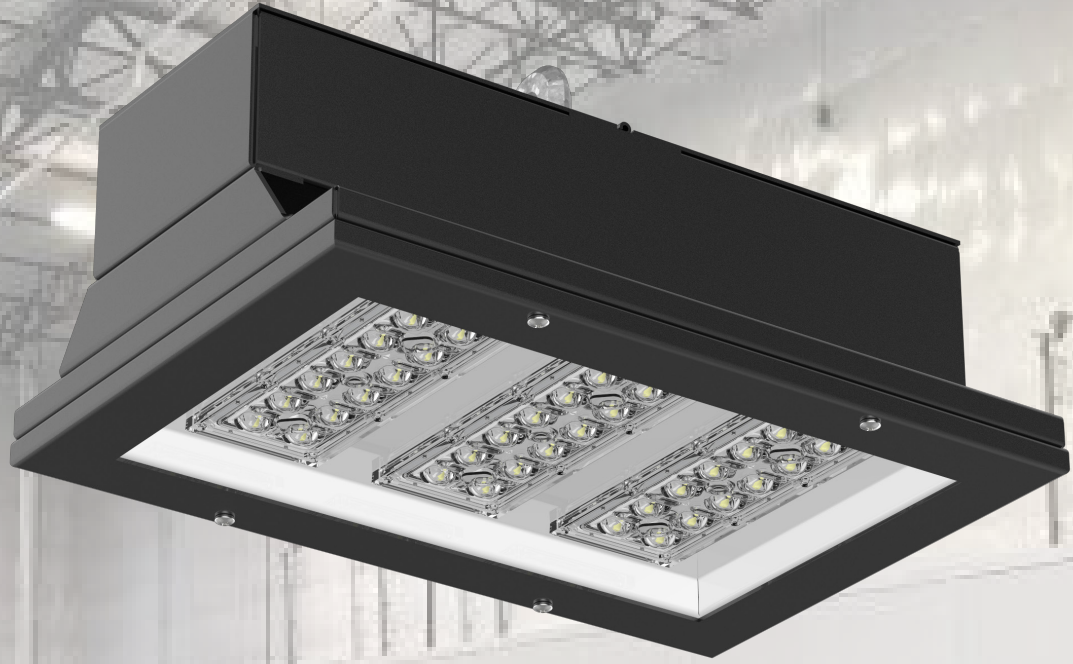


CLP-330HB
High Bay LED Luminaire
DESIGN-FUNCTION-QUALITY



Crystal Lighting Corp.



CLP-330HB Industrial LED High Bay Fixture, suitable for wet locations, designed to mount on ceilings up to 26 ft. Heights in Factories, Foundries, Machines Shops, Warehouse, Large Retail Stores, Gymnasiums and Indoor Sport Arenas. This fixture has a wide light distribution.

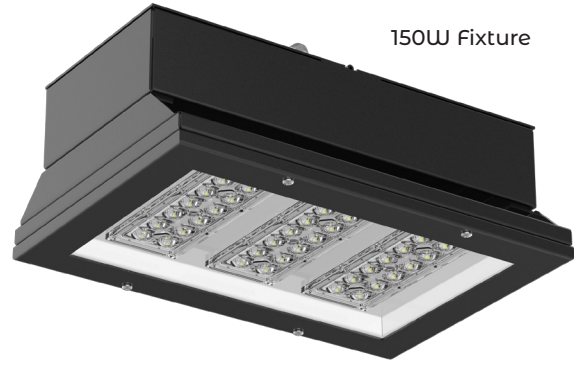
10 Year / 100,000 Hour Limited Warranty.

Features:

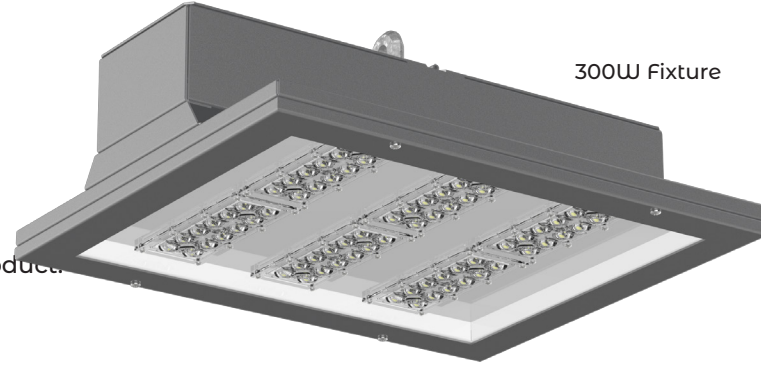
- Energy Savings: Over 66% compared to HID light sources.
- Improved lumen maintenance.
- High efficient Lumiled LED's.
- Operating temperatures: -30°C ~ 60°C.
- Driver: Constant current, 120-277V, 50/60Hz, 480v (Optional).
- Suitable for Wet Locations.
- Options: Occupancy Sensors or Wireless Controls.
- Operating Life: >60,000 hours

Construction:

- Heavy-Duty Aluminum Housing.
- 3 Mill Powder Coat Finish, (Various colors available) (Custom).
- Type 5 Clear CLP-Optical System.
- Silicone Gasket to prevent leakage and provide IP-66 Rated Product.
- Mounting: Hook (Standard) or 3/4" Threaded HUB (Optional)

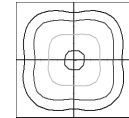


150W Fixture



300W Fixture

Optic Distribution.

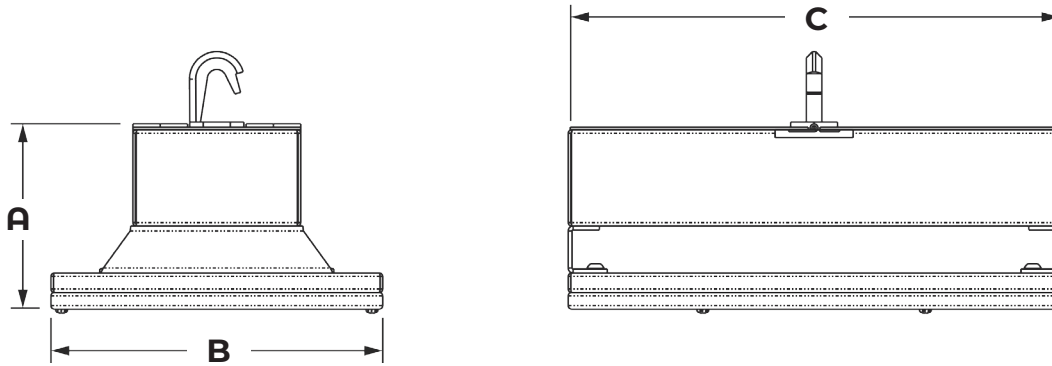
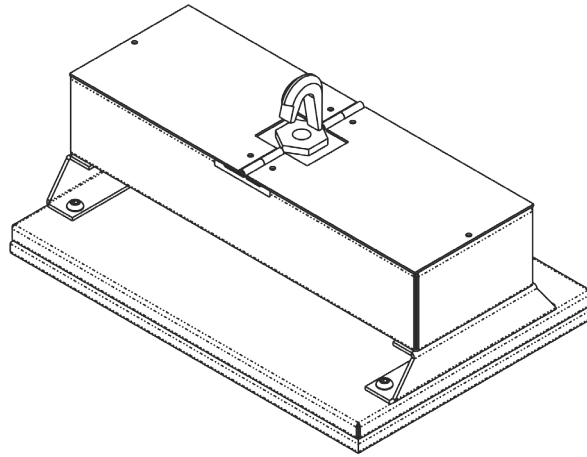


Type 5 (T5)



Example: CLP-330-HB-60CLEd-T2-40K-MV-BRZ-HK-OCC

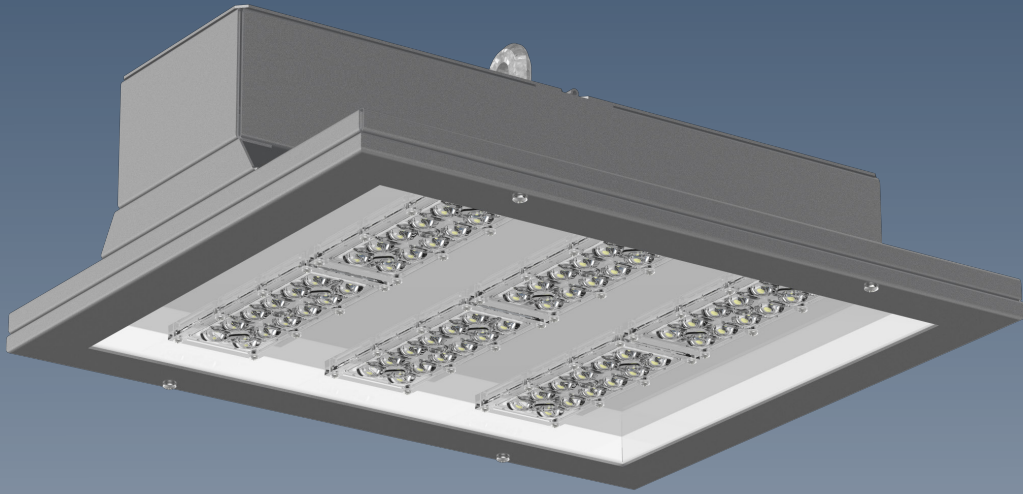
Cat #	Wattage	Light Dist.	Color Temp.	Voltage	Color	Mounting	Options
CLP-330M-HB	60W (60CLEd)	Type 5 (T5)	3000K (30K)	120-277V (MV)	Black (BLK)	Hook (HK) 3/4 HUB (34H)	Motion Sensor (OCC) Wireless Control (WC)
	80W (80CLEd)		4000K (40K)	480V (HV)	White (WH)		
	100W (100CLEd)		5000K (50K)	Bronze (BRZ)			
	120W (120CLEd)		Silver (SIL)				
	150W (150CLEd)		Graphite (GPH)				
CLP-330L-HB	200W (200CLEd)		Custom (CST)				
	250W (250CLEd)						
	300W (300CLEd)						



Dimensions				
Cat#	A	B	C	EPA
CLP-330M-HB	6"	10" 1/2	16"	
CLP-330L-HB	6"	17" 1/4	21"	

Cat #	Input Power	Lumen Output	LPW	Color Temp. (CCT)	CRI	Rated Life (L70)	Input Voltage	HID Equivalent	HID Equivalent
CLP-330M-HB-60CLED	65W	8320	136	5000K	70+	>200,000	120-277V	50/60HZ	250W HPS
CLP-330M-HB-80CLED	85W	10340	129	5000K	70+	>200,000	120-277V	50/60HZ	250W MH
CLP-330M-HB-100CLED	105W	14640	146	5000K	70+	>200,000	120-277V	50/60HZ	400W PSMH
CLP-330M-HB-120CLED	125W	16984	141	5000K	70+	>200,000	120-277V	50/60HZ	400W HPS
CLP-330M-HB-150CLED	155W	20680	137	5000K	70+	>200,000	120-277V	50/60HZ	400W HPS
CLP-330L-HB-200CLED	205W	30020	150	5000K	70+	>200,000	120-277V	50/60HZ	750W PSMH
CLP-330L-HB-250CLED	255W	36600	146	5000K	70+	>200,000	120-277V	50/60HZ	1000W MH
CLP-330L-HB-300CLED	305W	43620	145	5000K	70+	>200,000	120-277V	50/60HZ	1000W HPS

Proudly Manufactured and Assembled in the USA



Crystal Lighting
13182 Flores ST.
Santa Fe Springs , CA. 90670
Ph: 562-944-0223
www.crystallighting.us

Proudly manufactured and assembled in the USA