

CLH-INDUX Industrial LED Pendant Mount, Available in two sizes. CLH-INDUX industrial fixture is commonly installed in interior facilities such as Office, Restaurants, Walkways, and other Residential and Commercial applications.

- 10 Year Limited Warranty

Features

- 0-10 Dimming Driver 120-277V Constant Current.
- Available in 30K, 40K or 50k (Optional)
- Options : EMR (Consult factory for any special requirements or specifications.)
- Suitable for Damp Location.

Constructions.

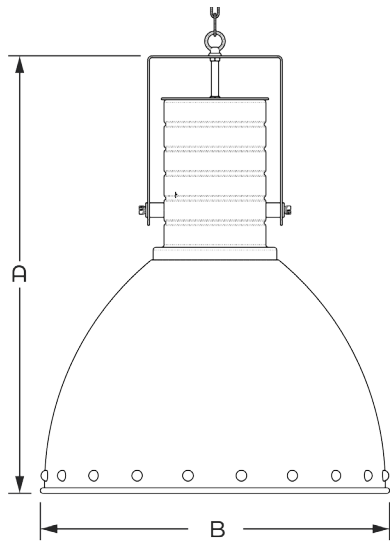
- Heavy Gauge Aluminum.
- 11 Gauge Steel Chain.
- Clear LED Optical System (Incandescent Bulb optional)
- 3 Mil Powder Coat Finish.(For custom finishes please consult factory.)

Example: CLH-INDUX-MD-50CLEd-30K-MV-PM1-ORG

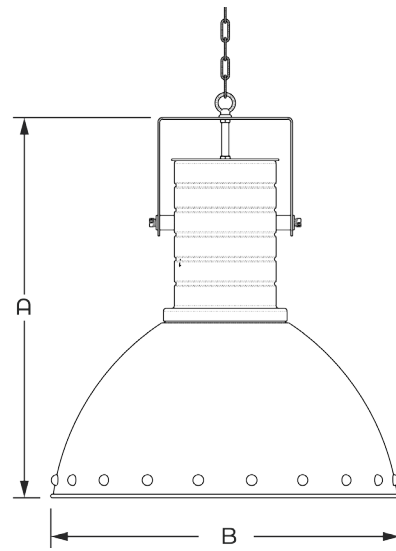


Cat #	Size.	Wattage	Color Temp.	Voltage	Finish	Mounting	Options
CLH-INDUX (CLH-INDUX)	Large (LG)	10W (10CLEd)	3000K (30K)	120-277V (MV)	White (WHT)	<u>Pendant Mount</u> Chain	EMR. Battery (EMR)
	Medium (MD)	20W (20CLEd) 30W (30CLEd) 40W (40CLEd) 50W (50CLEd)	4000K (40K) 5000K (50K)	480V (HV)	Silver (SLR) Black (BLK) Bronze (BRZ) Graphite (GPH) Orange (ORG) Custom (CST)	1Ft (PM1) 2Ft. (PM2) 3Ft. (PM3) 4Ft. (PM4) Custom (CST)	Incandescent (INC)

CLH-INDUX-LG



CLH-INDUX-MD



Cat#	A	B	C
CLH-INDUX-MD	26"	24"	-
CLH-INDUX-LG	30"	24"	-

Cat #	Input Power	Lumen Output	LPW	Color Temp. (CCT)	CRI	Rated Life (L70)	Input Voltage
CLH-INDUX-10CLED	15W	1,726	172	3000K	80+	>200,000	120-277V
CLH-INDUX-20CLED	25W	3,510	175	3000K	80+	>200,000	120-277V
CLH-INDUX-30CLED	35W	4,994	166	3000K	80+	>200,000	120-277V
CLH-INDUX-40CLED	45W	5,632	140	3000K	80+	>200,000	120-277V
CLH-INDUX-50CLED	55W	6,647	132	3000K	80+	>200,000	120-277V

Proudly Manufactured and Assembled in the USA