

# CLW-SL4

Architectural LED Lighting  
DESIGN-FUNCTION-QUALITY



*Crystal Lighting Corp.*





The CLW-SL4 series Wall and Surface Mount, luminaire is available with Clear or Opal Lenses. Typical Lighting Applications include Retail Centers, Industrial Parks, Schools and Universities, Public Transit and Airports, Office Buildings, Medical Facilities.

-10 Year /100,000 warranty.

**FEATURES:**

- Energy Savings: Over 66% compared to HID light sources
- Improved lumen maintenance
- Utilizes high efficient Lumiled LED's
- Operating temperatures: -30°C ~ 60°C
- Driver: Constant current, 120-277V or, 480V (Optional)
- 10Kv Surge Protector, 0-10V Dimming Driver (Standard)

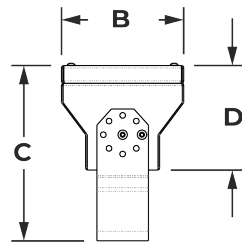
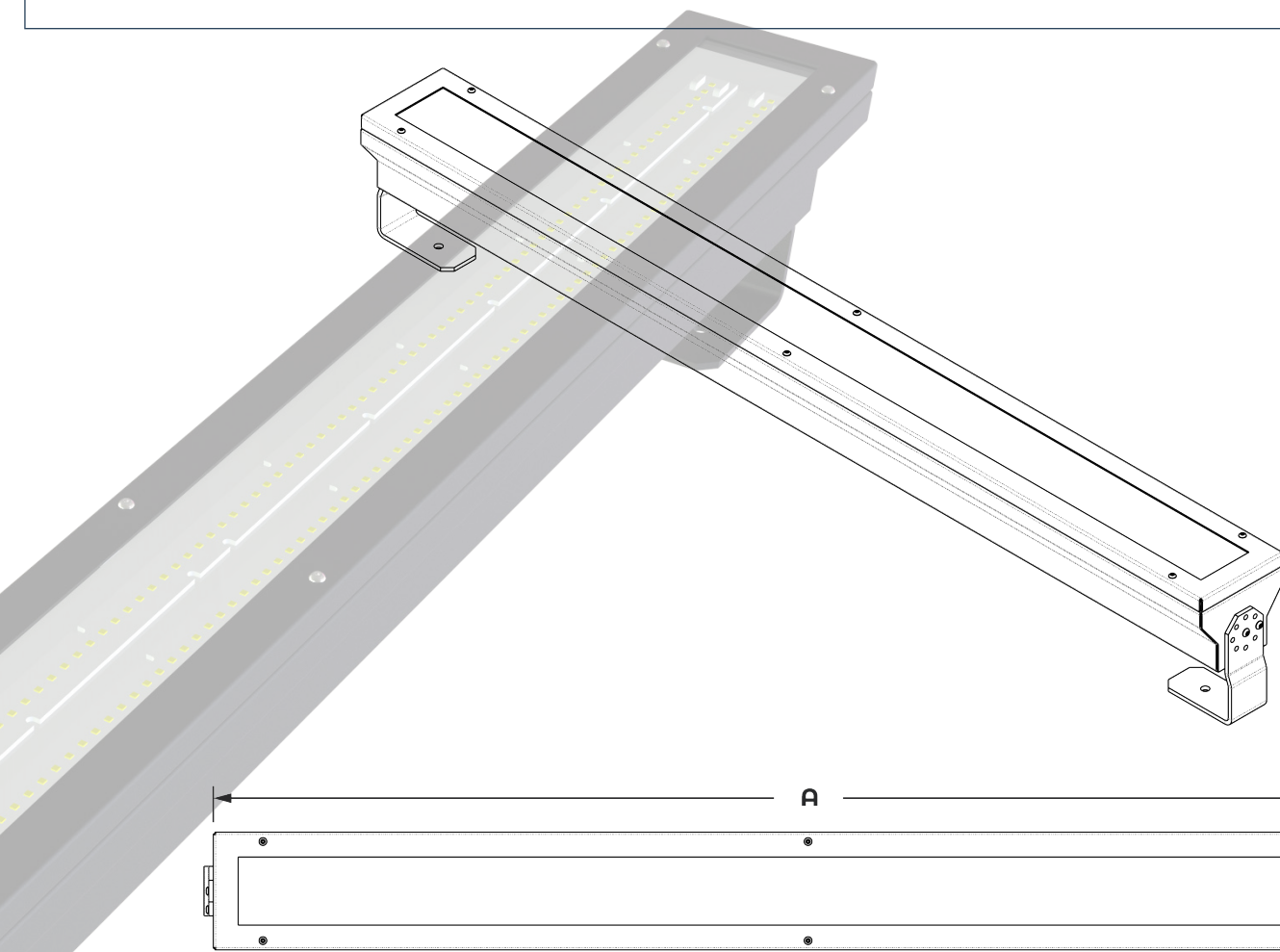
**CONSTRUCTION:**

- Heavy Gauge Aluminum Housing.
- 3 mil Powder Coat Finish.
- Clear Acrylic Lens (Standard) or Opal Acrylic Lens. (Optional)
- Vangal Guard (Optional)
- Silicone Gasket to prevent leakage and provide Weather-Tight Protection.

Example: CLW-SL4-2-30CLEd-SYM-30K-MV-BZ



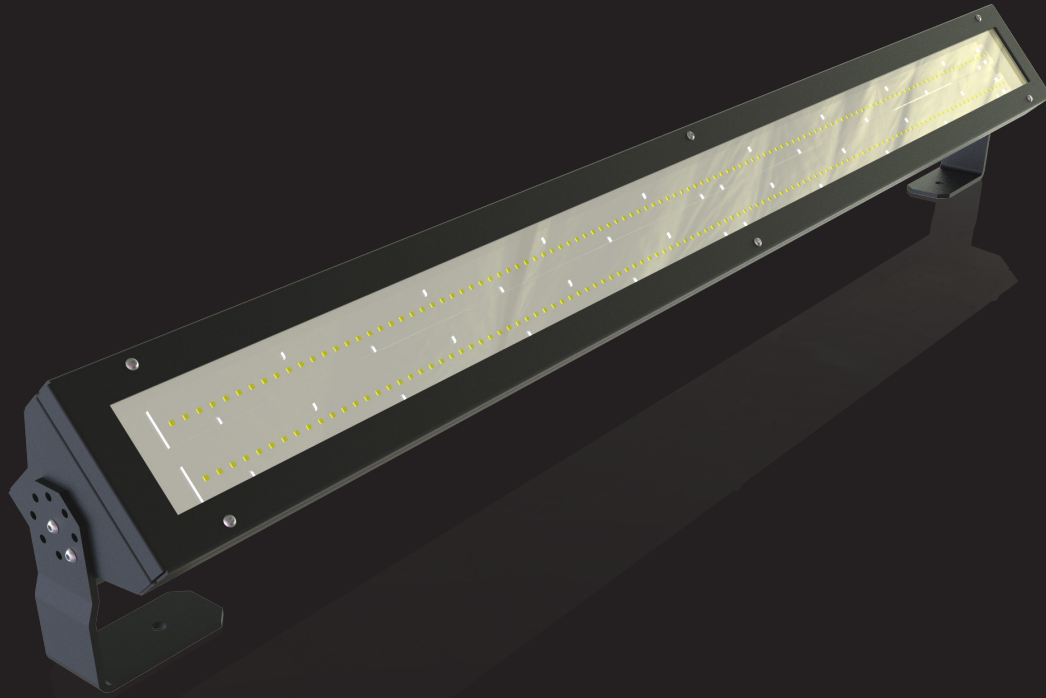
Cat #	Length	Wattage	Light Dist.	Color Temp.	Voltage	Finish	Options
CLW-SL4 (CLW-SL4)	2ft (2')	15W (15CLEd) 30W (30CLEd)	Symmetrical (SYM)	3000K (30K) 4000K (40K) 5000K (50K)	120-277V (MV) 480V (HV)	Black (BLK) White (WHT) Silver (SLR) Bronze (BRZ) Graphite (GPH) Custom (CST)	Opal Polycarbonate Lens (OPL)
	4ft (4')	40w (40CLEd) 80W (80CLEd)					



Cat#	A	B	C	D
CLW-SL4-2'	24"	4" 3/4	6" 7/8	4
CLW-SL4-4'	46"	4" 3/4	6" 7/8	4

Cat #	Input Power	Lumen Output	LPW	Color Temp. (CCT)	CRI	Rated Life (L70)	Input Voltage
CLW-SL4-2'-15CLED	20W	2,655	177	5000K	70+	>200,000	120-277V
CLW-SL4-2'-30CLED	35W	5,310	177	5000K	70+	>200,000	120-277V
CLW-SL4-4'-40CLED	45W	5,760	144	5000K	70+	>200,000	120-277V
CLW-SL4-4'-80CLED	85W	11,520	144	5000K	70+	>200,000	120-277V

Proudly Manufactured and Assembled in the USA



Crystal Lighting  
13182 Flores ST.  
Santa Fe Springs , CA. 90670  
Ph: 562-944-0223  
[www.crystallighting.us](http://www.crystallighting.us)

Proudly manufactured and assembled in the USA