

CLP-BELL TF
Architectural LED Lighting
DESIGN-FUNCTION-QUALITY



Crystal Lighting Corp.



CLP-BELL TF, is ideal for locations such as Residential, Walkways, Perimeters, School Campuses, Industrial/Commercial Spaces, and any other Outdoor setting that is looking to create an inviting and sophisticated atmosphere. **Turtle Friendly Amber** (590nm) lighting ideal for areas where excessive artificial lighting can disturb ecosystems, such as coastal areas where sea Turtles need a dark sky to orient and migrate towards the ocean. Mounting heights of 18 to 30 feet can be used based on light level and uniformity requirements.

- 10 year/100,000 Hour Limited Warranty.

Features:

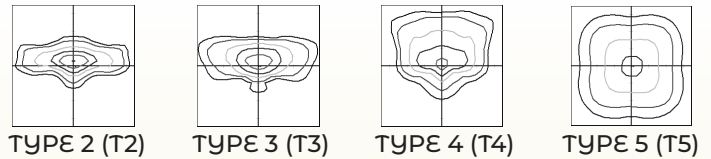
- Utilizes 590nm Nichia 219B LED's.
- Operating temperatures: -30°C ~ 60°C.
- Driver: 0-10v dimmable programmable Phillips driver, 120-277v, 50/60Hz.
- Suitable for wet locations.
- 10Kv Surge Protector. (Standard)
- Operating Life: >100,000 hours

Construction:

- Housing, Heavy Gauge Spun Aluminum.
- Cast Aluminum top for additional support.
- Mounting (YM): Over 3" O.D Tenon or Pole.
- 3 Mill Powder Coat Finish.
- Clear Optical System.



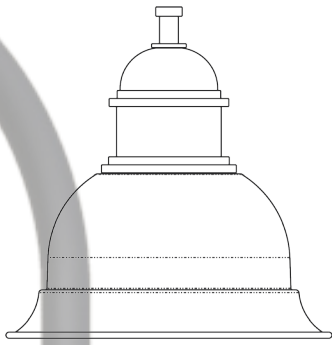
OPTIC DISTRIBUTION



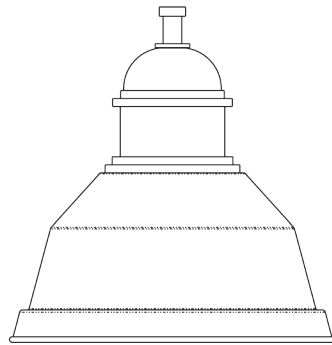
Example: CLP-BELLM-T1-SH1-TF20CLED-TRTL-MV-T3R-BZ-HSS



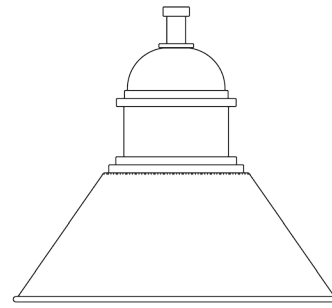
Cat #	Top/Shade	Wattage	Light Dist.	Color Temp.	Voltage	Finish	Mounting	Options
CLP-BELL-M (CLP-BELLM)	Tops Top 1 (TP1)	TF40W (TF40CLED)	Type 2 (T2)	Turtle Friendly Amber (TRTL)	120-277V (MV)	Black (BLK)	Arm Mount (AM)	Occupancy Sensor (OCC)
	Top2 (TP2) (Yoke Mount Only)	TF50W (TF50CLED)	Type 3 (T3)		480V (HV)	White (WHT)	Yoke Mount Over 3"OD (YM3)	Bottom Photo Cell (PC)
	Top3 (TP3)	TF60W (TF60CLED)	Type 4 (T4)			Silver (SLR)		Wireless Control (WC)
-----	Top 3 (TP3)	TF70W (TF70CLED)	Type 5 (T5)			Bronze (BRZ)		House Side Shield (HSS)
CLP-BELL-L (CLP-BELLL)	Shades Shade 1 (SH1)	TF80W (TF80CLED)				Graphite (GPH)	Over 4"OD (YM4)	Wattage Adjuster (WA)
	Shade 2 (SH2)	TF 100W (TF100CLED)				Custom (CST)	Side Slip Arm (Over 2" 3/8 Arm) (SSA)	Decorative Ring (Top 3 Only) (DR)
	Shade 3 (SH3)							



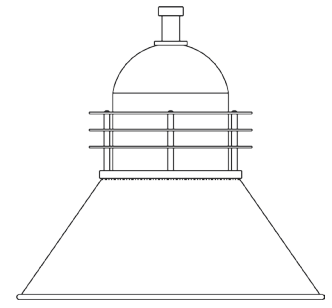
SH1/TP1



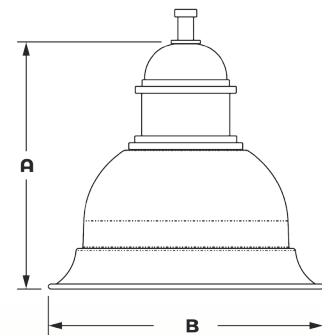
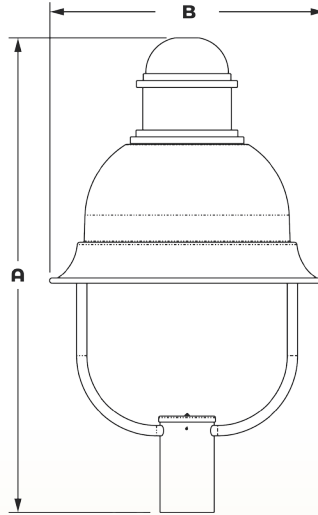
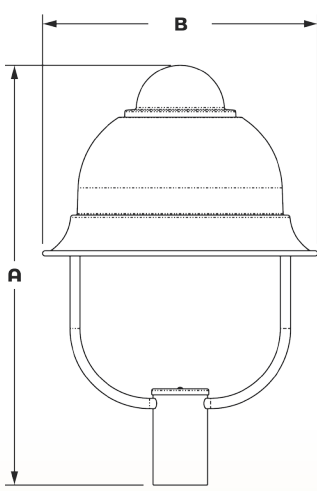
SH2/TP1



SH3/TP1



SH3/TP3/DR



Cat#	EPA
CLP-BELL-m-AM	1.38
CLP-BELL-m-PT1-ym	1.83
CLP-BELL-m-PT2-ym	1.59
CLP-BELL-L-AM	1.67
CLP-BELL-L-PT1-ym	2.14
CLP-BELL-L-PT2-ym	1.90

Dimensions		
Cat#	EPA	B
CLP-BELL-m-AM	18"	20"
CLP-BELL-m-PT1-ym	37" 3/8	20"
CLP-BELL-m-PT2-ym	31" 7/8	20"
CLP-BELL-L-AM	20"	25"
CLP-BELL-L-PT1-ym	38" 7/8	25"
CLP-BELL-L-PT2-ym	33" 3/8	25"

Cat #	Input Power	Lumen Output	LPW	Color Temp. (CCT)	Input Voltage	Input Frequency	LED Modules
CLP-BELL-m-40CLED	45W	4,636	103	590nm	120-277V	50/60HZ	2
CLP-BELL-m-50CLED	55W	5,500	100	590nm	120-277V	50/60HZ	2
CLP-BELL-m-60CLED	65W	6,348	97	590nm	120-277V	50/60HZ	2
CLP-BELL-m-80CLED	85W	8,832	103	590nm	120-277V	50/60HZ	3
CLP-BELL-m-100CLED	105W	10,580	100	590nm	120-277V	50/60HZ	3
CLP-BELL-m-120CLED	125W	12,144	97	590nm	120-277V	50/60HZ	3
CLP-BELL-m-150CLED	155W	15,318	98	590nm	120-277V	50/60HZ	4
CLP-BELL-L-180CLED	188W	19,044	101	590nm	120-277V	50/60HZ	6
CLP-BELL-L-200CLED	210W	20,977	99	590nm	120-277V	50/60HZ	6

Proudly Manufactured and Assembled in the USA



Crystal Lighting
13182 Flores ST.
Santa Fe Springs , CA. 90670
Ph: 562-944-0223
www.crystallighting.us

Proudly manufactured and assembled in the USA