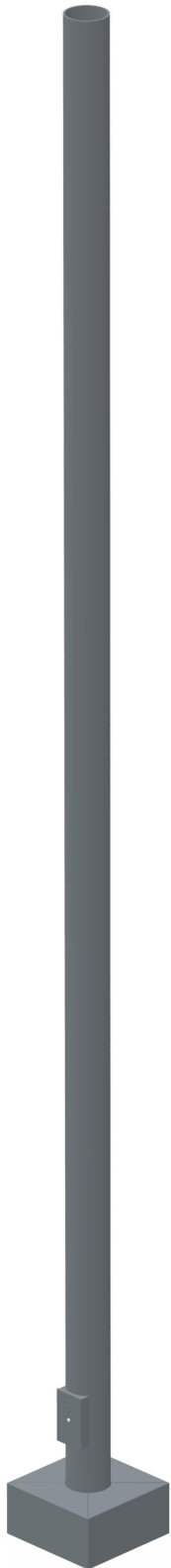


Crystal 
Lighting



Commercial Poles





Pole Shaft

Constructed of seamless extruded 6063 Aluminum Alloy tube per ASTM B221 requirements. Poles have Ground Lug welded inside behind hand hole. Hand Hole is 3"x5" and has a reinforced frame.

Base Plate

4-Bolt Aluminum base flange, 3/4" thick plate for poles up to 20ft High and 1" thick for poles 21ft of height and over.

Powder Coating

All poles are sandblast prior to painting, Powder coat is applied to a minimum of 3 millimeters and baked at 400 °F temperature. CL-RSA comes with (3) three year warranty.

Anchor Bolts

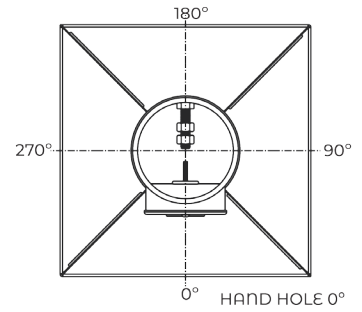
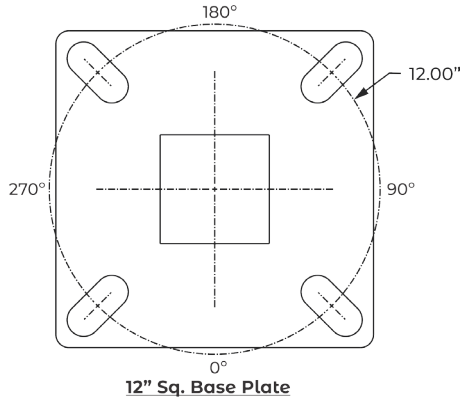
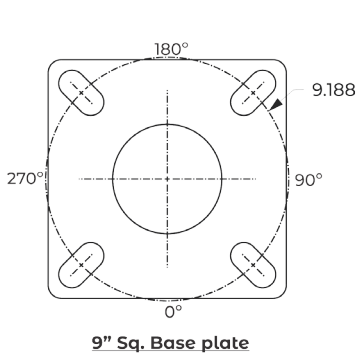
Anchor bolt Kit includes 4 L-Shaped Hot Dip Galvanized Bolts, each anchor bolt come with two galvanized nuts and washer per bolt, Anchor bolts meet or exceed a minimum of 36,000 PSI and conform to ASTM F1554 grade 36.

Base Cover, Hand Hole Cover and Pole Cap

CL-RSA come with Removable Pole Cap and Aluminum Base Cover Powder Coated to match Pole. Cast Hand Hole Cover are provided with Internal bridge support and are powder coated to match pole.

Example: CL-RSA-8-4-188-9BP-342-D180-BRZ-T3R

Cat #	Height	Pole O.D	Thickness	Bolt Circle	Anchor Bolt	Mounting	Finish	Options
Round Straight Aluminum (CL-RSA)	8' (8)	3"RD	.125	8"3/16 - 10"3/16 Bolt Circle (10'-20') (9BP)	3/4"x24" (342) 1"x36" (136)	Single (SGL)	Bronze (BRZ)	Tenon
	10' (10)	(3R)	(.125)			Double 180° (D180)	White (WHT)	2" 3/8 RND (T2R)
	12' (12)	4"RD	.188"			Double 90° (D90)	Silver (SVR)	3'RND (T3R)
	14' (14)	(4R)	(.188)	10" - 14" Bolt Circle (20' Over) (12BP)	Triple 90° (T90)	Green (GRN)	3" 1/2RND (T312R)	
	16' (16)	5"RD	.250"			Triple 120° (T120)	Black (BLK)	4"RND (T4R)
	18' (18)	(5R)	(.250)			Quad (QD)	Graphite (GPH)	4"1/2RND (T412R)
	20' (20)	6"RD				Custom (CST)	Marine Grade (MG)	3" 1/2SQ (T312S)
	25' (25)	(6R)						4"1/2SQ (T412S)
	30' (30)					5"1/2SQ (T512S)		
			3"RD up to 15ft height					Round Base Cover (RBC)
								GFI Provision ONLY (GFIP)
							GFI KIT (GFIK)	

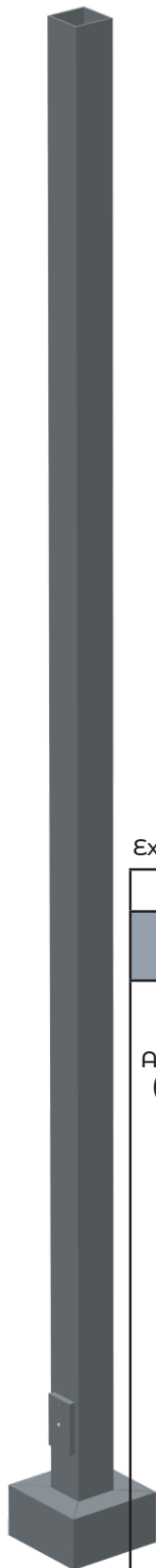


Pole EPA

Maximum EPA (ft) allowance

Height	Pole Dia.	Size	Base Plate	Bolt Circle	Bolts	90mph	100mph	110mph	120mph	130mph
8'	4" OD	.125	3/4" X 9" SQ	9"-3/16	3/4" X 24"	11.4	9.0	8.3	6.8	5.6
10'	4" OD	.125	3/4" X 9" SQ	9"-3/16	3/4" X 24"	8.1	6.2	5.	4.6	3.7
10'	5" OD	.125	3/4" X 9" SQ	9"-3/16	3/4" X 24"	15.8	12.4	11.6	9.6	8.2
12'	4" OD	.125	3/4" X 9" SQ	9"-3/16	3/4" X 24"	4.4	3.1	2.7	1.9	1.3
12'	5" OD	.125	3/4" X 9" SQ	9"-3/16	3/4" X 24"	9.2	7.0	6.4	5.2	4.4
12'	5" OD	.188	3/4" X 9" SQ	9"-3/16	3/4" X 24"	14.8	11.4	10.6	8.8	7.4
16'	4" OD	.125	3/4" X 9" SQ	9"-3/16	3/4" X 24"	3.1	2.0	1.7	1.0	-
16'	5" OD	.125	3/4" X 9" SQ	9"-3/16	3/4" X 24"	7.1	5.1	4.7	5.3	4.4
16'	5" OD	.188	3/4" X 9" SQ	9"-3/16	3/4" X 24"	11.8	9.0	8.2	63.8	5.6
16'	6" OD	.188	1" X 12" SQ	12"-1/2	1" X 36"	23.8	19.0	17.6	14.6	12.4
18'	5" OD	.125	3/4" X 9" SQ	9"-3/16	3/4" X 24"	5.4	3.6	3.3	2.6	2.0
18'	5" OD	.188	3/4" X 9" SQ	9"-3/16	3/4" X 24"	9.2	6.8	6.2	5.1	4.2
18'	6" OD	.188	1" X 12" SQ	12"-1/2	1" X 36"	19.6	15.6	14.6	12.0	10.0
20'	5" OD	.125	3/4" X 9" SQ	9"-3/16	3/4" X 24"	3.8	2.3	2.1	1.5	1.1
20'	5" OD	.188	3/4" X 9" SQ	9"-3/16	3/4" X 24"	7.2	5.0	4.6	3.7	3.0
20'	6" OD	.188	1" X 12" SQ	12"-1/2	1" X 36"	16.2	12.8	12.0	9.8	8.2
25'	6" OD	.188	1" X 12" SQ	12"-1/2	1" X 36"	10.0	7.6	7.1	5.7	4.6
30'	6" OD	.188	1" X 12" SQ	12"-1/2	1" X 36"	5.6	4.6	3.8	2.9	2.2

Proudly Manufactured and Assembled in the USA



Pole Shaft

Constructed of seamless extruded 6063 Aluminum Alloy tube per ASTM B221 requirements. Poles have Ground Lug welded inside behind hand hole. Hand Hole is 3"x5" and has a reinforced frame.

Base Plate

4-Bolt Aluminum base flange, 3/4" thick plate for poles up to 20ft High and 1" thick for poles 21ft of height and over.

Powder Coating

All poles are sandblast prior to painting, Powder coat is applied to a minimum of 3 millimeters and baked at 400 °F temperature. CL-SSA comes with (3) three year warranty.

Anchor Bolts

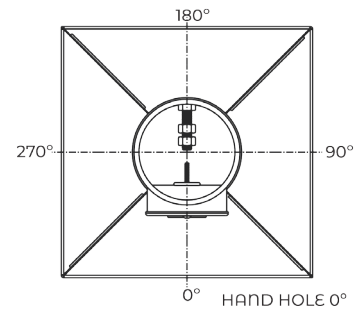
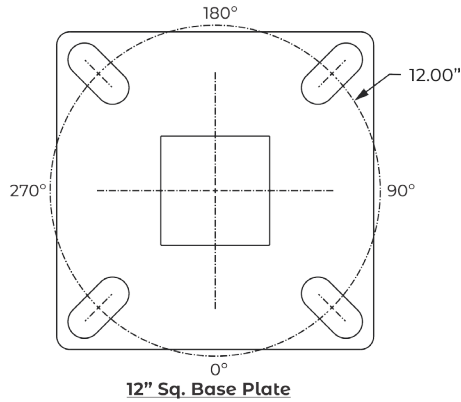
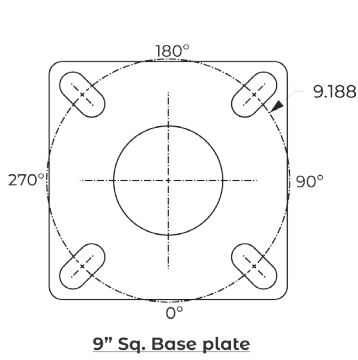
Anchor bolt Kit includes 4 L-Shaped Hot Dip Galvanized Bolts, each anchor bolt come with two galvanized nuts and washer per bolt, Anchor bolts meet or exceed a minimum of 36,000 PSI and conform to ASTM F1554 grade 36.

Base Cover, Hand Hole Cover and Pole Cap

CL-SSA come with Removable Pole Cap and Aluminum Base Cover Powder Coated to match Pole. Cast Hand Hole Cover are provided with Internal bridge support and are powder coated to match pole.

Example: CL-SSA-8-4-188-9BP-342-D180-BRZ-T3R

Cat #	Height	Pole O.D	Thickness	Bolt Circle	Anchor bolt	Mounting	Finish	Options
Square Straight Aluminum (CL-SSA)	8' (8)	4"SQ	.125	8"3/16 - 10"3/16	3/4"x24"	Single	Bronze (BRZ)	Tenon
	10' (10)	(4S)	(.125)	Bolt Circle (10'-20')	(342)	Double	White (WHT)	2" 3/8 RND (T2R)
	12' (12)	5"SQ	.188"	(9BP)	1"x36"	Double	(D-180)	3'RND (T3R)
	14' (14)	(5S)	(.188)			Double	(SVR)	3" 1/2RND (T312R)
	16' (16)	6"SQ	1/4"	10" - 14"		Triple	(GRN)	4"RND (T4R)
	18' (18)	(6S)	(.250)	Bolt Circle (21' Over)		Quad	(BLK)	4"1/2RND (T412R)
	20' (20)						Graphite (GPH)	3" 1/2SQ (T312S)
	25' (25)						Custom (CST)	4"1/2SQ (T412S)
	30' (30)						Marine Grade (MG)	5"1/2SQ (T412S)
								Round Base Cover (RBC)
							GFI Provision ONLY (GFIP)	
							GFI KIT (GFIK)	

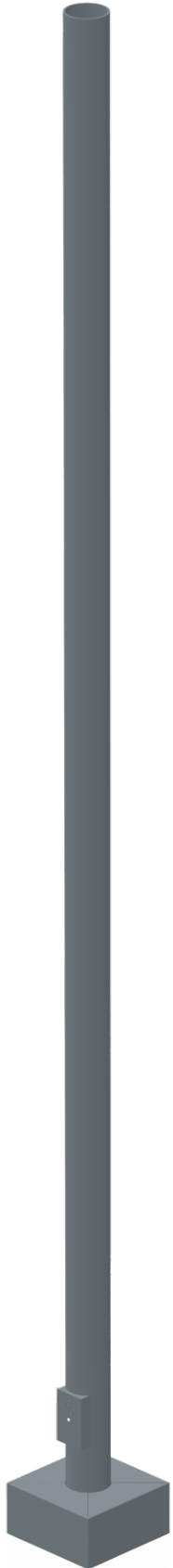


POLE EPA

Maximum EPA (ft) allowance

Height	Pole Dia.	Thickness	Base Plate	Bolt Circle	Bolts	90 MPH	100 MPH	110 MPH	120 MPH	130 MPH
8'	4" SQ.	.125	3/4" X 9" SQ	9"-3/16	3/4" X 24"	23.2	18.4	17.2	14.2	11.8
10'	4" SQ.	.125	3/4" X 9" SQ	9"-3/16	3/4" X 24"	17.6	13.8	12.8	10.4	8.6
10'	4" SQ.	.125	3/4" X 9" SQ	9"-3/16	3/4" X 24"	26.2	20.8	19.4	16.0	13.2
12'	4" SQ.	.125	3/4" X 9" SQ	9"-3/16	3/4" X 24"	13.8	10.6	9.8	7.8	6.2
12'	4" SQ.	.188	3/4" X 9" SQ	9"-3/16	3/4" X 24"	21.0	16.4	15.2	12.4	10.2
12'	5" SQ.	.188	1" X 12" SQ	12"-1/2	1" X 36"	35.0	27.6	25.6	20.8	17.2
14	4" SQ.	.125	3/4" X 9" SQ	9"-3/16	3/4" X 24"	10.8	8.2	7.6	5.8	4.6
14	4" SQ.	.188	3/4" X 9" SQ	9"-3/16	3/4" X 24"	17.0	13.2	12.0	9.6	7.8
14	5" SQ.	.188	1" X 12" SQ	12"-1/2	1" X 36"	28.6	22.4	20.6	16.6	13.6
16	4" SQ.	.125	3/4" X 9" SQ	9"-3/16	3/4" X 24"	8.8	6.4	5.8	4.4	3.2
16	4" SQ.	.188	3/4" X 9" SQ	9"-3/16	3/4" X 24"	13.8	10.6	9.6	7.6	6.0
16	5" SQ.	.188	1" X 12" SQ	12"-1/2	1" X 36"	23.8	18.4	16.8	13.4	10.8
18	4" SQ.	.125	3/4" X 9" SQ	9"-3/16	3/4" X 24"	6.8	4.8	4.2	3.0	2.0
18	4" SQ.	.188	3/4" X 9" SQ	9"-3/16	3/4" X 24"	11.2	8.4	7.6	5.8	4.4
18	5" SQ.	.188	1" X 12" SQ	12"-1/2	1" X 36"	19.4	14.8	13.4	10.4	8.2
20	4" SQ.	.125	3/4" X 9" SQ	9"-3/16	3/4" X 24"	5.0	3.4	2.8	1.8	-
20	4" SQ.	.188	3/4" X 9" SQ	9"-3/16	3/4" X 24"	9.0	6.6	5.8	4.2	3.0
20	5" SQ.	.188	1" X 12" SQ	12"-1/2	1" X 36"	15.8	11.8	10.6	8.0	6.0
20	6" SQ.	.188	1" X 12" SQ	12"-1/2	1" X 36"	24.8	18.8	17.0	13.2	10.2
25	5" SQ.	.188	1" X 12" SQ	12"-1/2	1" X 36"	9.4	6.2	5.4	3.4	1.8
25	6" SQ.	.188	1" X 12" SQ	12"-1/2	1" X 36"	15.4	10.8	9.4	6.6	4.2
30	6" SQ.	.188	1" X 12" SQ	12"-1/2	1" X 36"	8.8	5.0	4.0	1.6	-

Proudly Manufactured and Assembled in the USA



Pole Shaft

Pole shaft shall be weldable-grade, cold-rolled, commercial quality carbon steel tubing conforming to ASTM A500 Grade B. Tubing has minimum yield strength of 45,000 PSI. CL-RSS includes ground Lug welded inside opposite of Hand Hole. Options include 11 and 7 gauge.

Base Plate

4-Bolt Steel Plate base is manufactured from hot rolled carbon steel conforming to ASTM-A36 or equivalent (36,000 PSI). 3/4" thick Steel for poles up to 20ft and 1" thick for poles 21ft to 30ft.

Powder Coating

All poles are sandblast prior to painting, Powder coat is applied to a minimum of 3 millimeters and baked at 400 °F temperature. CL-RSS comes with (3) three year warranty.

Anchor Bolts

Anchor bolt Kit includes 4 L-Shaped Hot Dip Galvanized Bolts, each anchor bolt come with two galvanized nuts and washer per bolt, Anchor bolts meet or exceed a minimum of 36,000 PSI and conform to ASTM F1554 grade 36.

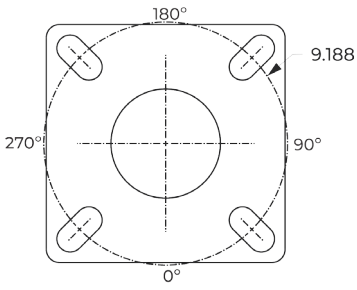
Base Cover, Hand Hole Cover and Pole Cap

CL-RSS come with Removable Pole Cap and Aluminum Base Cover Powder Coated to match Pole. Cast Hand Hole Cover are provided with Internal bridge support and are powder coated to match pole.

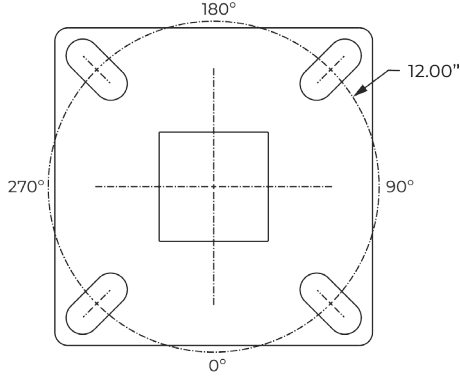
Example: CL-RSS-8-4-7G-9BP-342-D180-BRZ-T3R

Cat #	Height	Pole O.D	Thickness	Bolt Circle	Anchor bolt	Mounting	Finish	Options
Round Straight Steel (CL-RSS)	8' (8)	3"OD	.120"	8"3/16 -	3/4"x24"	Single	Bronze	Tenon
	12' (12)	(3R)	(11G)	10"3/16	(342)	(SGL)	(BRZ)	2" 3/8 RND
	14' (14)	4"OD	.180"	Bolt Circle	1"x36"	Double	White	(T2R)
	16' (16)	(4R)	(7G)	(10'-20')	(136)	180°	(WHT)	3'RND (T3R)
	18' (18)	5"OD				(D180)	Silver	3" 1/2RND
	20' (20)	(5R)		10" - 14"		Double	(SVR)	(T312R)
	22' (22)			Bolt Circle		90°	(GRN)	4"RND (T4R)
	25' (25)			(21' Over)		(D90)	(GRN)	4"1/2RND
	28' (28)					Triple 90°	(BLK)	(T412R)
	30' (30)					(T90)	(BLK)	3" 1/2SQ (T312S)
						Triple 120°	(GPH)	4"1/2SQ (T412S)
					Quad	(CST)	5"1/2SQ (T412S)	
					(QD)	(CST)	Round Base Cover (RBC)	
						Marine Grade	GFI Provision ONLY (GFIP)	
						(MG)	GFI KIT (GFIK)	

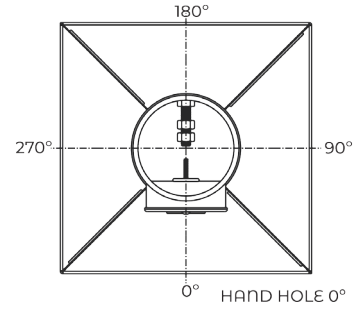
3"RD up to 15ft height



9" Sq. Base plate



12" Sq. Base Plate



HAND HOLE 0°

POLE EPA

Maximum EPA (ft) allowance

Height	Pole Dia.	Thickness	Base Plate	Bolt Circle	Bolts	90 mph	100 mph	110 mph	120 mph	130 mph	140 mph
8'	3" OD.	11G	3/4" X 9" SQ	9"-3/16	3/4" X 24"	14.2	11.2	10.4	8.6	7.2	6.0
10'	3" OD.	11G	3/4" X 9" SQ	9"-3/16	3/4" X 24"	10.8	8.5	7.8	6.4	5.2	4.3
10'	4" OD.	11G	3/4" X 9" SQ	9"-3/16	3/4" X 24"	20.8	16.6	15.2	12.6	10.4	8.8
12'	3" OD.	11G	3/4" X 9" SQ	9"-3/16	3/4" X 24"	8.4	6.6	6.0	4.8	3.8	3.0
12'	4" OD.	11G	3/4" X 9" SQ	9"-3/16	3/4" X 24"	16.6	13.0	12	9.8	8.0	6.8
14'	3" OD.	11G	3/4" X 9" SQ	9"-3/16	3/4" X 24"	6.8	5.1	4.6	3.6	2.8	2.0
14'	4" OD.	11G	3/4" X 9" SQ	9"-3/16	3/4" X 24"	13.4	10.4	9.6	7.6	6.2	5.1
16'	3" OD.	11G	3/4" X 9" SQ	9"-3/16	3/4" X 24"	5.4	4.0	3.6	2.7	1.9	1.3
16'	4" OD.	11G	3/4" X 9" SQ	9"-3/16	3/4" X 24"	11.0	8.4	7.6	6.0	4.6	3.8
18'	3" OD.	11G	3/4" X 9" SQ	9"-3/16	3/4" X 24"	4.2	2.9	2.6	1.8	1.1	-
18'	4" OD.	11G	3/4" X 9" SQ	9"-3/16	3/4" X 24"	9.0	6.6	6.0	4.5	3.4	2.7
20'	4" OD.	11G	3/4" X 9" SQ	9"-3/16	3/4" X 24"	7.2	5.2	4.6	3.3	2.3	1.6
20'	5" OD.	11G	1" X 12" SQ	12"-1/2	3/4" X 24"	12.5	9.4	8.8	7.1	5.9	4.9
20'	5" OD.	7G	1" X 12" SQ	12"-1/2	1" X 36"	20.6	15.8	14.6	12.2	10.2	8.6
22'	4" OD.	7G	3/4" X 9" SQ	9"-3/16	3/4" X 24"	15.5	10.1	9.9	6.0	5.1	3.4
22'	5" OD.	7G	1" X 12" SQ	12"-1/2	1" X 36"	19.4	14.2	13.1	11.0	9.1	7.2
25'	4" OD.	7G	3/4" X 9" SQ	9"-3/16	3/4" X 24"	3.8	2.3	1.9	.08	-	-
25'	5" OD.	11G	1" X 12" SQ	12"-1/2	1" X 36"	7.6	5.2	4.7	3.7	2.9	2.2
25'	5" OD.	7G	1" X 12" SQ	12"-1/2	1" X 36"	13.4	9.8	9.	7.4	6.0	5.0
30'	5" OD.	11G	1" X 12" SQ	12"-1/2	1" X 36"	4.0	2.1	1.8	1.2	-	-
30'	5" OD.	7G	1" X 12" SQ	12"-1/2	1" X 36"	8.6	5.8	5.2	4.0	3.2	2.4
35'	5" OD.	7G	1" X 12" SQ	12"-1/2	1" X 36"	5.0	2.6	2.2	1.5	1.0	-

Proudly Manufactured and Assembled in the USA

Pole Shaft

Pole shaft shall be weldable-grade, cold-rolled, commercial quality carbon steel tubing conforming to ASTM A500 Grade B. Tubing has minimum yield strength of 45,000 PSI. CL-RSS includes ground Lug welded inside opposite of Hand Hole. Options include 11 and 7 gauge.

Base Plate

4-Bolt Steel Plate base is manufactured from hot rolled carbon steel conforming to ASTM-A36 or equivalent (36,000 PSI) 3/4" thick Steel for poles up to 20ft and 1" thick for poles 21ft to 30ft.

Powder Coating.

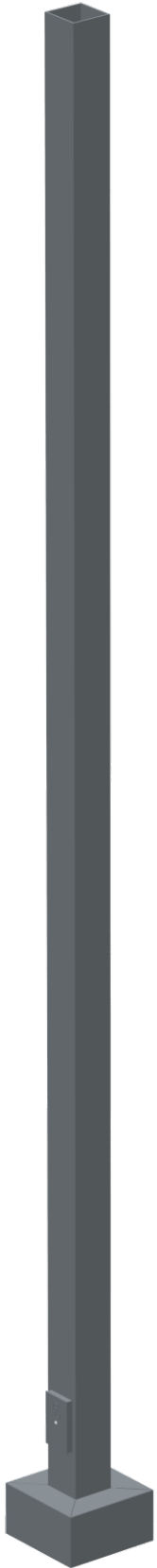
All poles are sandblast prior to painting, Powder coat is applied to a minimum of 3 millimeters and baked at 400 °F temperature. CL-SSS come with (3) three years warranty.

Anchor Bolts.

Anchor bolt Kit includes 4 L-Shaped Hot Dip Galvanized Bolts, each anchor bolt come with two galvanized nuts and washer per bolt, Anchor bolts meet or exceed a minimum of 36,000 PSI and conform to ASTM F1554 grade 36.

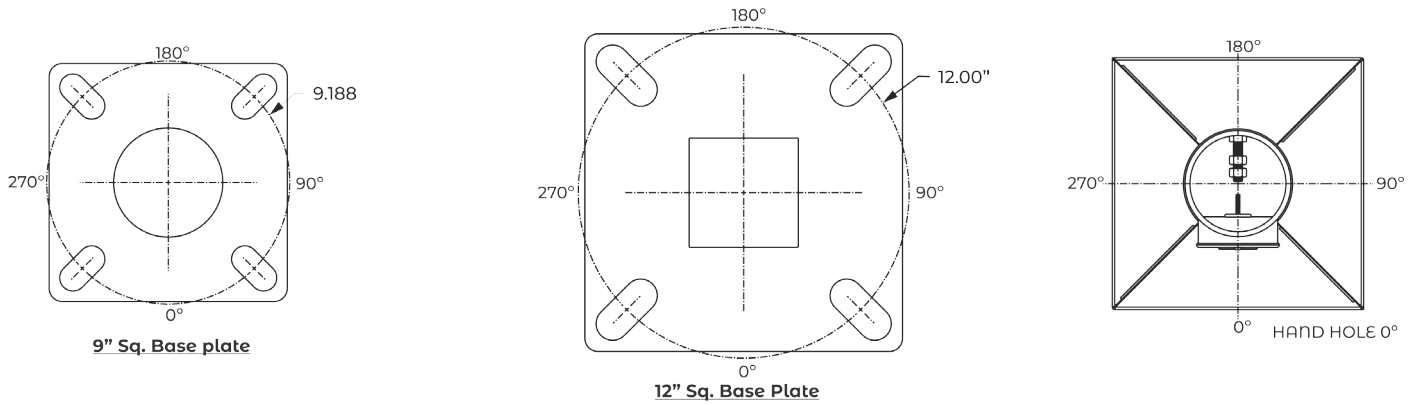
Base Cover, Hand Hole Cover and Pole Cap.

CL-SSS come with Removable Pole Cap and Aluminum Base Cover Powder Coated to match Pole. Cast Hand Hole Cover are provided with Internal bridge support and are powder coated to match pole.



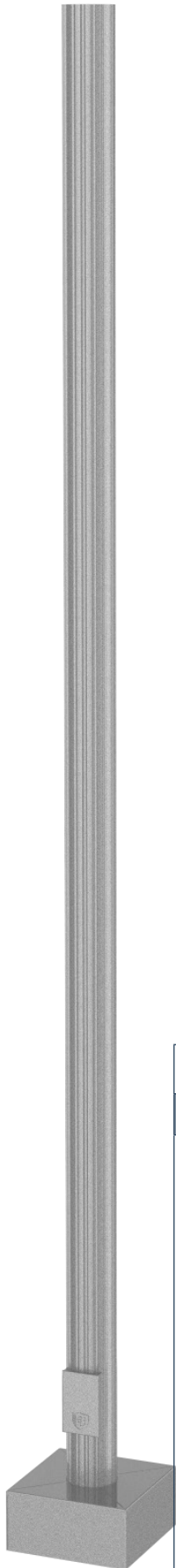
Example: CL-SSS-10-4-7G-9BP-342-D180-BRZ-T3R

Cat #	Height	Pole O.D	Thickness	Bolt Circle	Anchor bolt	Mounting	Finish	Options
Square Straight Steel (CL-SSS)	10' (10)	4"SQ.	.120"	8"3/16 -	3/4"x24"	Single	Bronze	Tenon
	12' (12)	(4S)	(11G)	10"3/16	(342)	(SGL)	(BRZ)	2" 3/8 RND
	14' (14)	5"SQ.	.180"	Bolt Circle	1"x36"	Double	White	(T2R)
	16' (16)	(5S)	(7G)	(10'-20')	(136)	(D-180)	(WHT)	3'RND (T3R)
	18' (18)					Double	Silver	3" 1/2RND
	20' (20)			10" - 14"		(D-90)	(SVR)	(T312R)
	22' (22)			Bolt Circle		Triple	Green	4"RND (T4R)
	25' (25)			(21' Over)		(T-90)	(GRN)	4"1/2RND
	28' (28)			(12BP)		Quad	Black	(T412R)
	30' (30)					(QD)	(BLK)	3" 1/2SQ (T312S)
	35' (35)						Graphite	4"1/2SQ (T412S)
							(GPH)	5"1/2SQ (T412S)
						Custom	Round Base	
						(CST)	Cover (RBC)	
						Marine	GFI Provision	
						Grade	ONLY (GFIP)	
						(MG)	GFI KIT (GFIK)	



POLE EPA											
Maximum EPA (ft) allowance											
Height	Pole Dia.	Thickness	Base Plate	Bolt Circle	Bolts	90mph	100mph	110mph	120mph	130mph	140mph
10'	4" SQ.	11G	3/4" X 9" SQ	9"-3/16	3/4" X 24"	28.6	22.6	21.0	17.2	14.4	12.0
12'	4" SQ.	11G	3/4" X 9" SQ	9"-3/16	3/4" X 24"	23.0	18.0	16.6	13.6	11.0	9.2
14'	4" SQ.	11G	3/4" X 9" SQ	9"-3/16	3/4" X 24"	18.6	14.4	13.2	10.6	8.6	7.0
16'	4" SQ.	11G	3/4" X 9" SQ	9"-3/16	3/4" X 24"	15.4	11.6	10.6	8.4	6.6	5.1
18'	4" SQ.	11G	3/4" X 9" SQ	9"-3/16	3/4" X 24"	12.4	9.2	8.4	6.4	4.8	3.5
20'	4" SQ.	11G	3/4" X 9" SQ	9"-3/16	3/4" X 24"	10.0	7.2	6.4	4.7	3.3	2.2
20'	4" SQ.	7G	3/4" X 9" SQ	9"-3/16	3/4" X 24"	16.4	12.6	11.4	9.0	7.0	5.5
20'	5" SQ.	11G	1" X 12" SQ	12"-1/2	1" X 36"	15.2	11.2	10.0	7.4	5.4	3.8
20'	5" SQ.	7G	1" X 12" SQ	12"-1/2	1" X 36"	28.6	22.0	20.2	16.2	13.0	10.4
22'	4" SQ.	11G	3/4" X 9" SQ	9"-3/16	3/4" X 24"	8.2	5.6	4.9	3.3	2.1	1.0
22'	4" SQ.	7G	3/4" X 9" SQ	9"-3/16	3/4" X 24"	13.6	10.2	9.2	7.1	5.4	4.1
25'	4" SQ.	11G	3/4" X 9" SQ	9"-3/16	3/4" X 24"	5.4	3.4	2.8	1.4	-	-
25'	4" SQ.	7G	3/4" X 9" SQ	9"-3/16	3/4" X 24"	10.6	7.6	6.8	5.0	3.5	2.2
25'	5" SQ.	11G	1" X 12" SQ	12"-1/2	1" X 36"	8.8	5.6	4.8	2.8	1.3	-
25'	5" SQ.	7G	1" X 12" SQ	12"-1/2	1" X 36"	19.0	14.2	12.8	9.6	7.2	5.4
28'	4" SQ.	11G	3/4" X 9" SQ	9"-3/16	3/4" X 24"	3.4	1.5	1.0	-	-	-
28'	4" SQ.	7G	3/4" X 9" SQ	9"-3/16	3/4" X 24"	10.6	7.6	6.8	5.0	3.5	2.2
28'	5" SQ.	11G	1" X 12" SQ	12"-1/2	1" X 36"	6.2	3.1	2.3	1.0	-	-
28'	5" SQ.	7G	1" X 12" SQ	12"-1/2	1" X 36"	16.5	11.5	10.3	7.1	6.8	3.1
30'	4" SQ.	11G	3/4" X 9" SQ	9"-3/16	3/4" X 24"	4.0	1.5	-	-	-	-
30'	5" SQ.	11G	1" X 12" SQ	12"-1/2	1" X 36"	6.4	4.0	3.4	2.0	-	-
30'	5" SQ.	7G	1" X 12" SQ	12"-1/2	1" X 36"	12.6	8.8	7.6	5.2	3.2	1.8
30'	6" SQ.	7G	1" X 12" SQ	12"-1/2	1" X 36"	20.4	14.6	13.0	9.2	6.4	4.0
35'	5" SQ.	7G	1" X 12" SQ	12"-1/2	1" X 36"	7.6	4.5	3.6	1.6	-	-
35'	6" SQ.	7G	1" X 12" SQ	12"-1/2	1" X 36"	13.6	8.8	7.4	4.2	1.9	-
39'	6" SQ.	7G	1" X 12" SQ	12"-1/2	1" X 36"	9.0	4.8	3.6	1.0	-	-

Proudly Manufactured and Assembled in the USA



Pole Shaft

Constructed of seamless extruded 6063 Aluminum Alloy tube per ASTM B221 requirements. Poles have Ground Lug welded inside behind hand hole. Hand Hole is 3"x5" and has a reinforced frame.

Base Plate

4-Bolt Aluminum base flange, 3/4" thick plate for poles up to 20ft High and 1" thick for poles 21ft of height and over.

Powder Coating

All poles are sandblast prior to painting, Powder coat is applied to a minimum of 3 millimeters and baked at 400 °F temperature. CL-RSA comes with (3) three year warranty.

Anchor Bolts

Anchor bolt Kit includes 4 L-Shaped Hot Dip Galvanized Bolts, each anchor bolt come with two galvanized nuts and washer per bolt, Anchor bolts meet or exceed a minimum of 36,000 PSI and conform to ASTM F1554 grade 36.

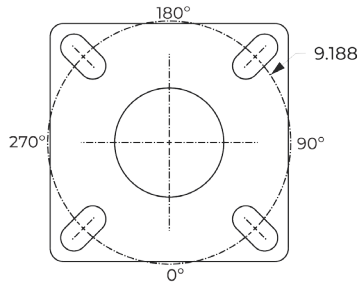
Base Cover, Hand Hole Cover and Pole Cap

CL-RSA come with Removable Pole Cap and Aluminum Base Cover Powder Coated to match Pole. Cast Hand Hole Cover are provided with Internal bridge support and are powder coated to match pole.

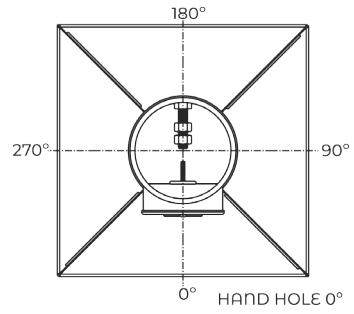
Example: CL-RSA-8-4-188-9BP-342-D180-BRZ-T3R

Cat #	Height	Pole O.D	Thickness	Bolt Circle	Anchor Bolt	Mounting	Finish	Options
Round Straight Aluminum Fluted (CL-RSAF)	8' (8)	4"RD	.188"	8"3/16 - 10"3/16 Bolt Circle (10'-20') (9BP)	3/4"x24" (342) 1"x36" (136)	Single	Bronze	Tenon
	10' (10)	(4R)	(.188)			Double 180°	(BRZ)	2" 3/8 RND (T2R)
	12' (12)	5"RD				(D180)	White	3" RND (T3R)
	14' (14)	(5R)				Double 90°	(WHT)	3" 1/2RND (T312R)
	16' (16)			10" - 14" Bolt Circle (20' Over) (12BP)		Triple 90°	Silver	4" RND (T4R)
	18' (18)				(D90)	Triple 120°	(SVR)	4" 1/2RND (T412R)
	20' (20)				(T90)	Quad	Green	3" 1/2SQ (T312S)
					(T120)	(QD)	Black	4" 1/2SQ (T412S)
						Graphite	5" 1/2SQ (T512S)	Round Base Cover (RBC)
						Custom		GFI Provision ONLY (GFIP)
						Marine Grade		GFI KIT (GFIK)
						(MG)		

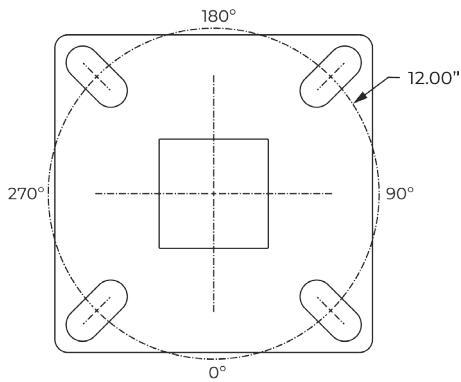
3"RD up to 15ft height



9" Sq. Base plate



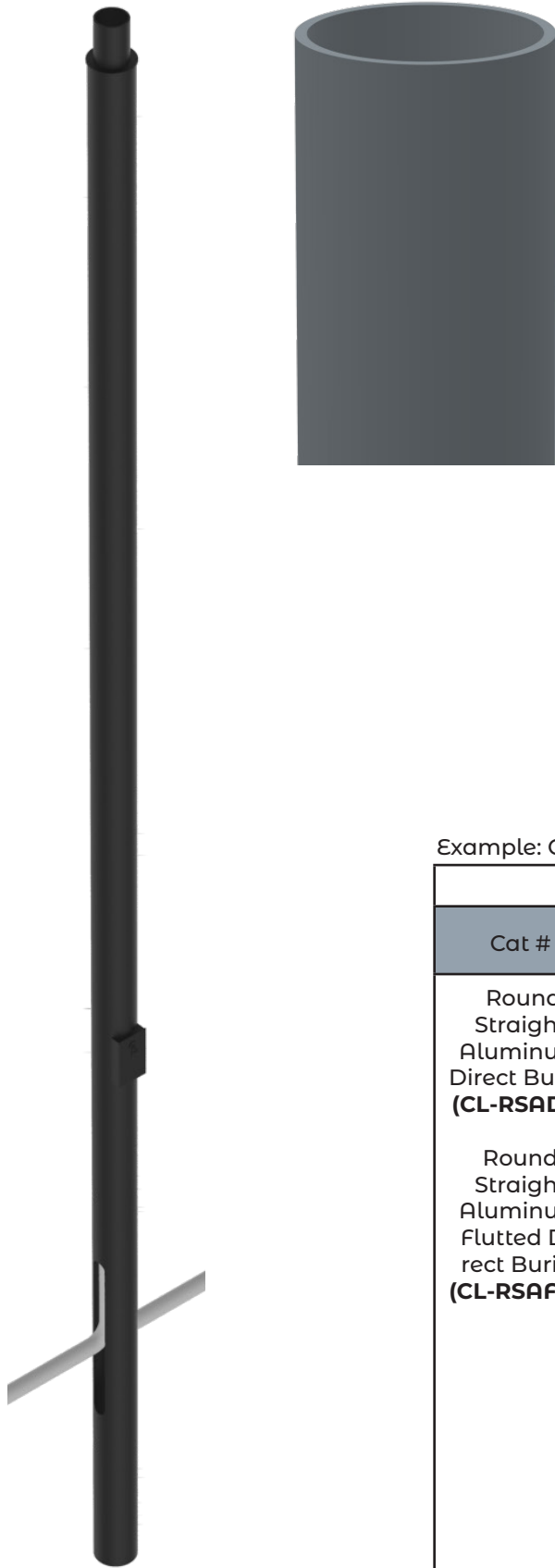
0° HAND HOLE 0°



12" Sq. Base Plate

Pole EPA								
Maximum EPA (ft) allowance								
Height	Pole Dia.	Size	Base Plate	Bolt Circle	Bolts	80mph	90mph	100mph
8'	4" OD	.125	3/4" X 9" SQ	9"-3/16	3/4" X 24"		11.4	9.0
10'	4" OD	.125	3/4" X 9" SQ	9"-3/16	3/4" X 24"	10.3	7.8	6.0
12'	4" OD	.125	3/4" X 9" SQ	9"-3/16	3/4" X 24"	8.2	6.0	4.5
12'	5" OD	.188	3/4" X 9" SQ	9"-3/16	3/4" X 24"	11.6	8.7	6.5
14'	4" OD	.125	3/4" X 9" SQ	9"-3/16	3/4" X 24"	7.1	4.8	2.8
14'	5" OD	.188	3/4" X 9" SQ	9"-3/16	3/4" X 24"	10.0	7.5	5.5
15'	4" OD	.125	3/4" X 9" SQ	9"-3/16	3/4" X 24"	9.6	7.4	5.6
15'	5" OD	.188	3/4" X 9" SQ	9"-3/16	3/4" X 24"	14.8	11.6	8.8
16'	4" OD	.125	3/4" X 9" SQ	9"-3/16	3/4" X 24"	8.3	6.0	4.4
16'	5" OD	.188	3/4" X 9" SQ	9"-3/16	3/4" X 24"	13.7	10.4	7.6
18'	4" OD	.125	3/4" X 9" SQ	9"-3/16	3/4" X 24"	6.2	3.6	1.7
18'	5" OD	.188	3/4" X 9" SQ	9"-3/16	3/4" X 24"	11.7	8.2	6.4
20'	4" OD	.125	3/4" X 9" SQ	9"-3/16	3/4" X 24"	12.4	8.2	5.3
20'	5" OD	.188	3/4" X 9" SQ	9"-3/16	3/4" X 24"	9.8	7.0	5.0

Proudly Manufactured and Assembled in the USA



Pole Shaft

Constructed of seamless extruded 6063 Aluminum Alloy tube per ASTM B221 requirements. Poles have Ground Lug welded inside across from hand hole. Hand Hole is 3"x5" and has a reinforced frame.

Embed Detail

Direct Burial poles over 6" diameter will be partially flattened at the bottom side into an anti-rotational oval cross section. Wire access will be provided 24" below ground level line. Soil conditions vary by site. Foundation requirements should be determined by structural engineer with knowledge of jobsite soil conditions.

Powder Coating

All poles are sandblast prior to painting, Powder coat is applied to a minimum of 3 millimeters and baked at 400 °F temperature. CL-RSADB come with (3) three years warranty.

Hand Hole Cover and Pole Cap

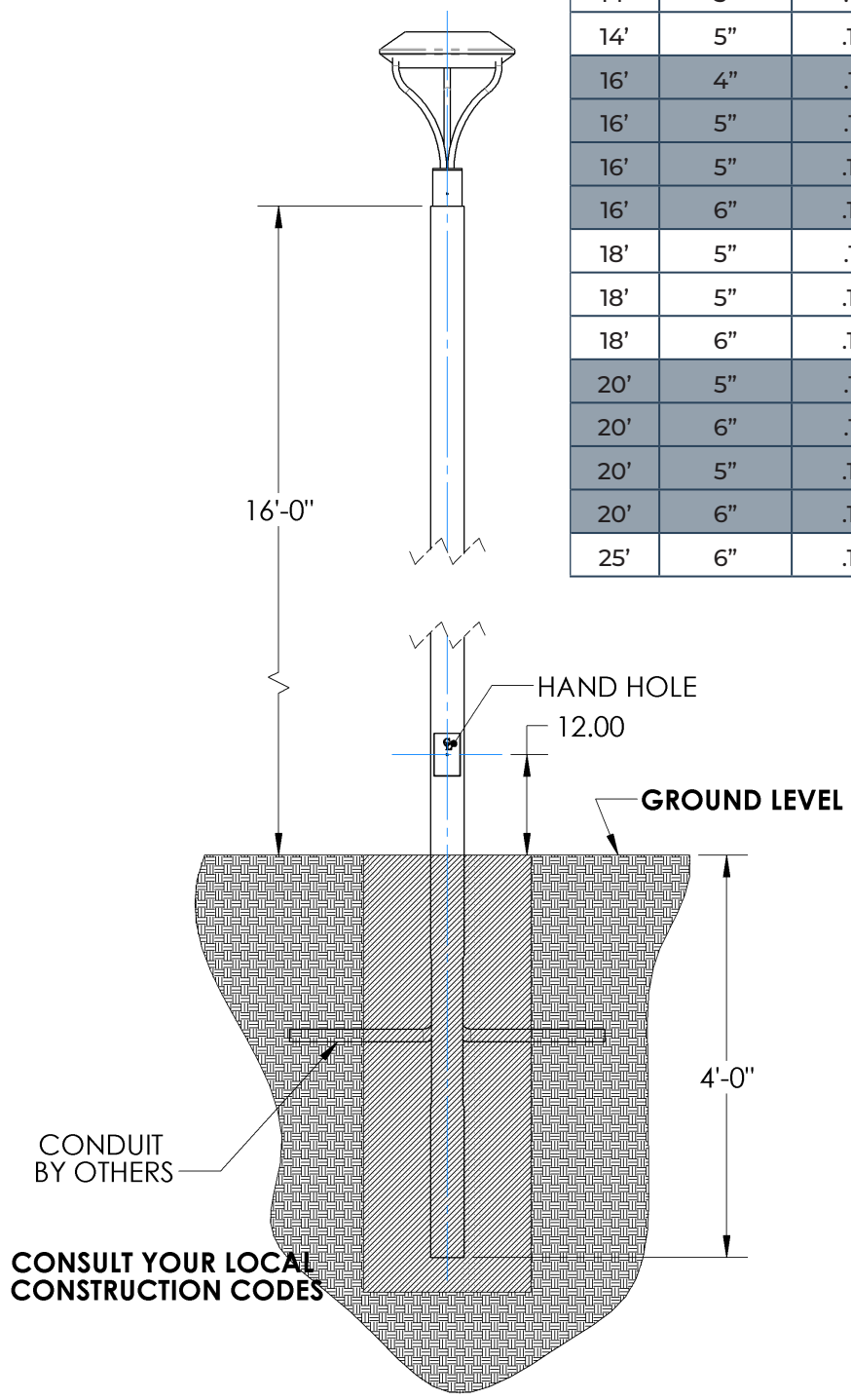
CL-RSADB come with Aluminum Removable Pole Cap for side mount poles, Cast Hand Hole Cover are provided with Internal Bridge Support and are powder coated to match pole.

Example: CL-RSADB-10-4-.125-D180-BRZ-T3R

Cat #	Height	Pole O.D	Thickness	Mounting	Finish	Options
Round Straight Aluminum Direct Burial (CL-RSADB)	8' (8)	3"OD	.125"	Single (SGL)	Bronze (BRZ)	Tenon
	10' (10)	(3R)*	(125)	Double 180° (D180)	White (WHT)	2" 3/8 RND (T2R)
	12' (12)	4"OD	.188"			3'RND (T3R)
	14' (14)	(4R) **	(188)	Double 90° (D90)	Silver (SVR)	3" 1/2RND (T312R)
	16' (16)	5"OD				4"1/2RND (T412R)
Round Straight Aluminum Fluted Direct Burial (CL-RSAFDB)	18'(18)	(5R)		Triple 90° (T90)	Green (GRN)	GFI Provi-sion ONLY (GFIP)
	20' (20)	6"OD				Triple 120° (T120)
	25' (25)	(6R)		Quad (QD)	Graphite (GPH)	
						Marine Grade (MG)

Notes:
 *Available up to 10' Height
 **Available up to 16' Height

POLE EPA							
Maximum EPA (ft) allowance							
Height	Pole OD	Thickness.	90mph	100mph	110mph	120mph	130mph
10'	4"	.125	8.1	6.2	5.7	4.6	3.7
10'	5"	.125	15.8	12.4	11.6	9.6	8.2
12'	4"	.125	6.0	4.4	4.0	3.1	2.3
12'	5"	.125	12.0	9.36	8.6	7.2	6.0
12'	5"	.125	18.6	14.6	13.6	11.2	9.5
14'	4"	.125	4.4	3.1	2.7	1.9	1.3
14'	5"	.125	9.2	7.0	6.4	5.2	4.4
14'	5"	.188	14.8	11.4	10.6	8.85	7.4
16'	4"	.125	3.1	2.0	1.7	0.9	-
16'	5"	.125	7.1	5.1	4.7	3.8	3.1
16'	5"	.188	11.8	9.0	8.2	6.8	5.6
16'	6"	.188	25.8	20.6	19.2	16.0	13.4
18'	5"	.125	5.4	3.6	3.3	2.6	2.0
18'	5"	.188	9.2	6.8	6.2	5.1	4.2
18'	6"	.188	21.6	17.2	16.0	13.2	11.2
20'	5"	.125	3.8	2.3	2.1	1.5	1.1
20'	6"	.125	11.6	9.2	8.	6.9	5.7
20'	5"	.188	7.2	5.0	4.6	3.7	2.9
20'	6"	.188	18.0	14.4	13.2	11.0	9.2
25'	6"	.188	11.6	9.0	8.4	6.8	5.4





Crystal Lighting
13182 Flores ST.
Santa Fe Springs , CA. 90670
Ph: 562-944-0223
www.crystallighting.us

Proudly Manufactured and Assembled in the USA