

CLP-SOMBRERO

Architectural LED Lighting
DESIGN-FUNCTION-QUALITY



Crystal Lighting Corp.



CLP-Sombrero Architectural LED Lighting, suitable for wet locations. Perfect for lighting up residential exteriors, walkways, perimeters, school campuses, Industrial/commercial spaces, parking lots, recreational parks.

- Dark Sky Compliant
- 10 year/100,000 hour limited warranty.

Features

- Energy Savings: Over 66% compared to HID light sources
- Improved lumen maintenance
- Utilizes high efficient Lumiled LED's
- Operating temperatures: -30°C ~ 60°C
- Driver: Constant current, 120-277v, 50/60Hz, 480v (Optional)
- 10Kv surge protector (Standard).
- 0-10v Dimming, occupancy sensors, photo cell and wireless controls capable (optional)
- Operating Life: >60,000 hours

Construction

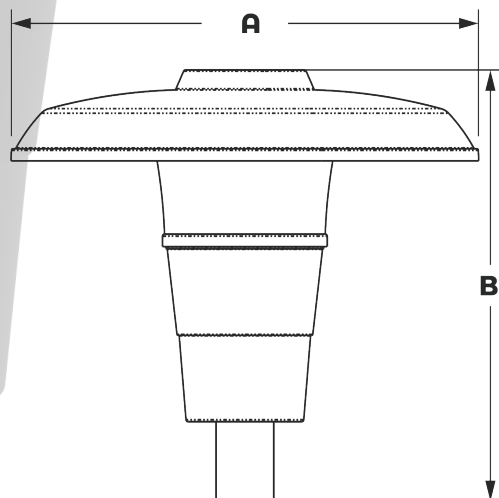
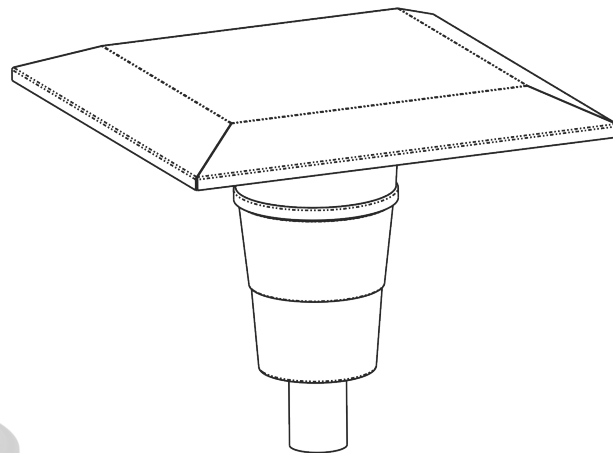
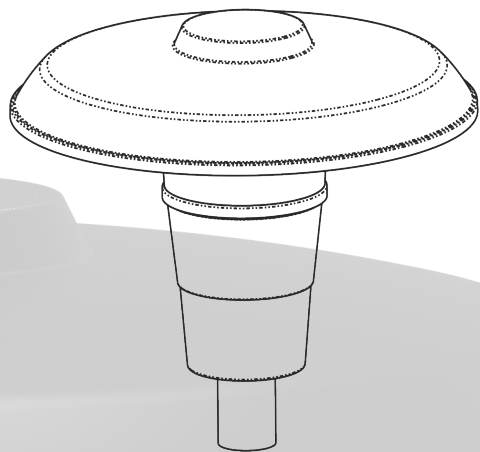
Housing and Shade is Heavy-Duty Spun Aluminum
 5 mil Powder Coating finish (standard) various colors available (custom).
 Clear prismatic acrylic Type 5 (standard), clear prismatic polycarbonate lens (optional)
 Silicone gasket to prevent leakage and provide weather-tight protection.
 Mounting: Over 3" O.D Tenon or Pole (standard). Adapter is required for other mounting sizes.



Example: CLP-SOMBRERO-R-20CLEd-30K-MV-3-BLK-7PPC



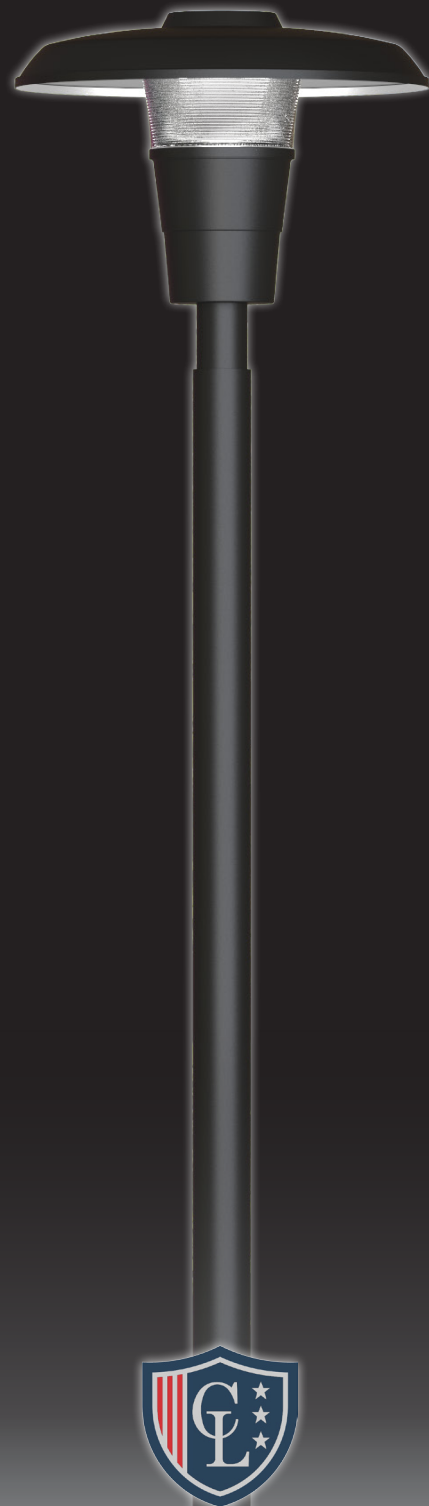
Cat #	Wattage	Color Temp.	Voltage	Mounting Over	Finish	Options
CLP-SOMBRERO -ROUND (CLP-SOMBRERO-R)	20W (20CLEd)	3000K (30K)	120-277V (mv)	3"OD (3)	Black (BLK)	Motion Sensor (OCC)
	40W (40CLEd)	4000K (40K)	480V (HV)		White (WHT)	Bottom Photo Cell (PC)
CLP-SOMBRERO SQUARE (CLP-SOMBRERO-S)	50W (50CLEd)	5000K (50K)			Silver (SLR)	Wireless Control (WC)
	60W (60CLEd)				Bronze (BRZ)	Type 3 Lens (T3)
	70W (70CLEd)				Graphite (GPH)	Type 5 Lens (T5)
					Marine Grade (MG)	Photo Cell Receptacle (PCR)
					Custom (CST)	7Pin ProtoCell (7PPC)



CAT#	A	B	EPA
CLP-SOMBRERO-R	24" 3/8	28"	1.75
CLP-SOMBRERO-S	22" 1/8	28"	1.47

Cat #	Input Power	Lumen Output	LPW	Color Temp. (CCT)	CRI	Rated Life (L70)	Input Voltage	HID Equivalent
CLP-SOMBRERO-20CLED	25W	3,680	184	5000K	70+	>200,000	120-277V	50W MH
CLP-SOMBRERO-40CLED	45W	6,492	162	5000K	70+	>200,000	120-277V	150W MH
CLP-SOMBRERO-50CLED	55W	7,780	155	5000K	70+	>200,000	120-277V	250W MH
CLP-SOMBRERO-60CLED	65W	8,539	142	5000K	70+	>200,000	120-277V	175W PSMH
CLP-SOMBRERO-70CLED	75W	9,870	141	5000K	70+	>200,000	120-277V	250W PSMH

Proudly Manufactured and Assembled in the USA



Crystal Lighting
13182 Flores ST.
Santa Fe Springs , CA. 90670
Ph: 562-944-0223
www.crystallighting.us

Proudly manufactured and assembled in the USA