

The CLP-MP is designed to bring efficiency while transforming the appearance of locations such as, convention centers, shopping centers, museums, entrances, walkways and any other exterior setting that seeks a modern, sophisticated look.

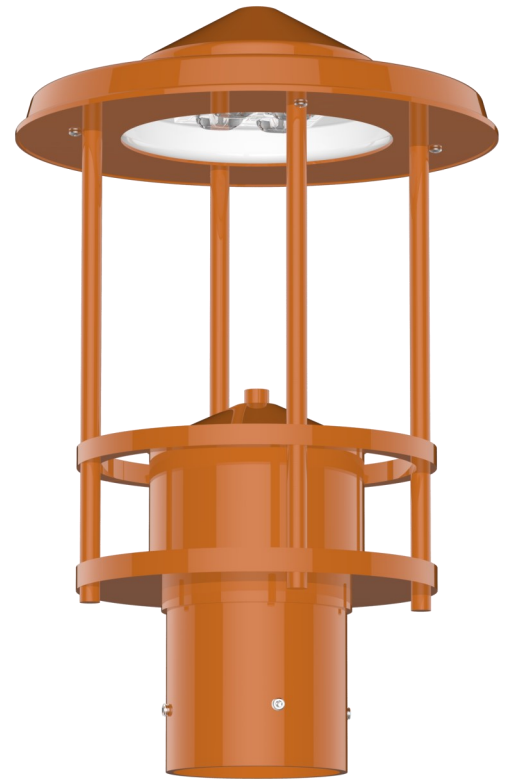
- dark sky compliant
- 10 year/100,000 hour limited warranty.

**FEATURES**

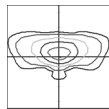
- Life Rating: >200,000 (L70) hours for enhanced safety and maintenance
- Utilizes high efficient Lumiled LED's
- Energy Savings: 80% compared to HID light sources
- IP55, Suitable For Wet Locations
- 0-10 Dimming, Photo Cell and Wireless Controls (Optional)
- Philips LED's and driver
- 10 KV Surge Protector

**CONSTRUCTION**

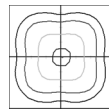
- Clear Optical System
- Heavy Duty Aluminum Body
- Mounting: Over 3" 1/2 O.D Tenon or Pole (Adapter is required for other mountings sizes.)



**OPTIC DISTRIBUTION**



**TYPE 3 (T3)**



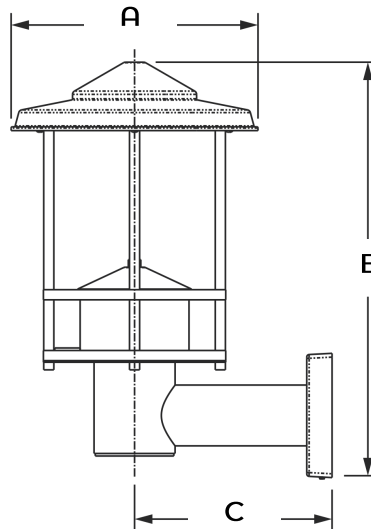
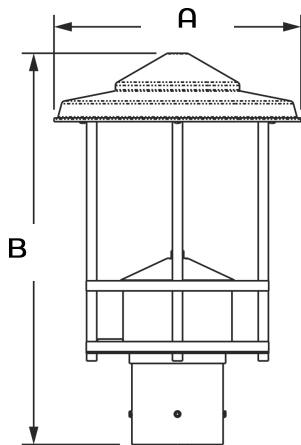
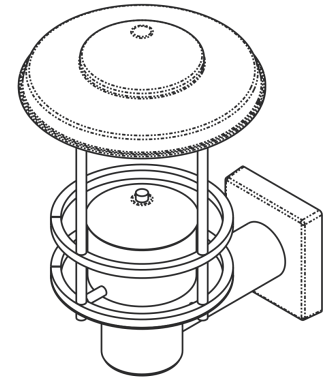
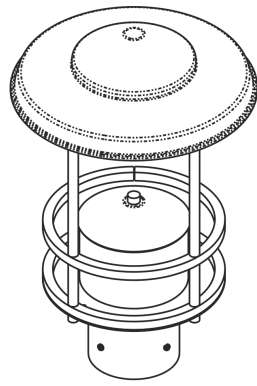
**TYPE 5 (T5)**



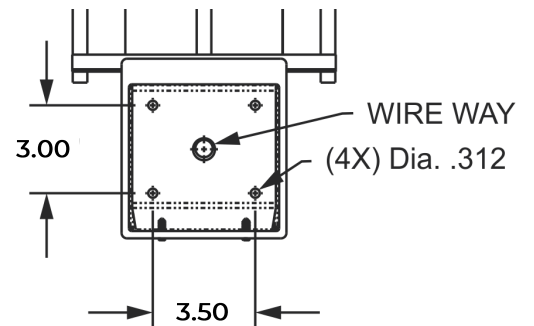
Example: (CLP-MP-10CLEd-T3-4K-MV-PM-BRZ-PC)



CAT #	Wattage	Light Dist.	Color Temp.	Voltage	Mounting	Color	Options
CLP-MP (CLP-MP)	5W (5CLEd)	Type 3 (T3)	2700K (27K)	120-277V (UNIV)	WALL MOUNT (WM)	BRONZE (BRZ)	PHOTO CELL (PC)
	10W (10CLEd)	Type 5 (T5)	3000K (3K)	480V	POST MOST (PM)	GRAY (GRY)	WIRELESS CONTROL (WC)
	15W (15CLEd)		4000K (4K)	480V (HV)		BLACK (BLK)	House Side Shield (HSS)
	20W (20CLEd)		5000K (5K)			WHITE (WH)	
	30W (30CLEd)					CUSTOM (CST)	



**OVER 3" 1/2 TENON**  
(Contact us for other sizes)



Dimensions				
CAT#	MOUNTING	A	B	C
CLP-MP	WM	12" 3/16	20" 1/2	9" 3/4
CLP-MP	PT	12" 3/16	19" 3/8	-

**Mounting Holes**

CAT#	Input Power	Lumen Output	Color Temp. (CCT)	CRI	Rated Life (L70)	Input Voltage	Input Frequency	HID Equivalent
CLP-MP-5CLED	7W	757	5000K	70+	>200,000	120-277V	50/60Hz	35w HPS
CLP-MP-10CLED	12W	1,376	5000K	70+	>200,000	120-277V	50/60Hz	50w HPS
CLP-MP-15CLED	20W	1,918	5000K	70+	>200,000	120-277V	50/60Hz	70w HPS
CLP-MP-20CLED	25W	3,102	5000K	70+	>200,000	120-277V	50/60Hz	100w HPS
CLP-MP-30CLED	35W	4,128	5000K	70+	>200,000	120-277V	50/60Hz	150w HPS