



**Eris** Architectural LED Post Mount Luminaire, suitable for wet locations. Perfect for lighting up Residential Exteriors, Walkways, Perimeters, School Campuses, Industrial/Commercial Spaces, Parking Lots, Recreational Parks.

- Dark Sky compliant
- 10 Year /100,000 warranty.

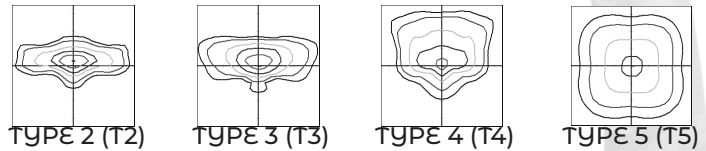
**Features:**

- Energy Savings: Over 66% compared to HID light sources
- Improved lumen maintenance
- Utilizes high efficient Lumiled LED's
- Operating temperatures: -30°C ~ 60°C
- Driver: Constant current, 120-277v or, 480v (Optional)
- 10Kv Surge Protector. (standard)
- 0-10V Dimming, occupancy sensors, photo cell or wireless controls (optional)

**Construction:**

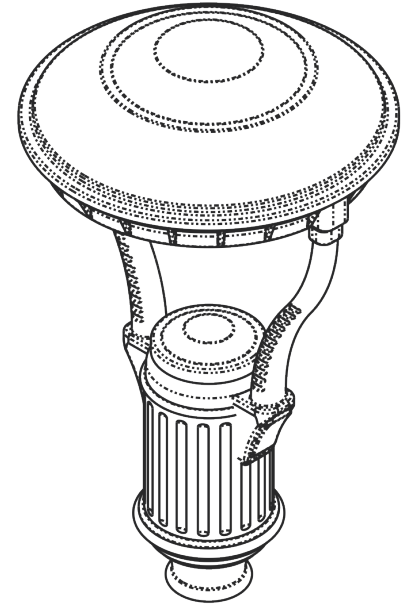
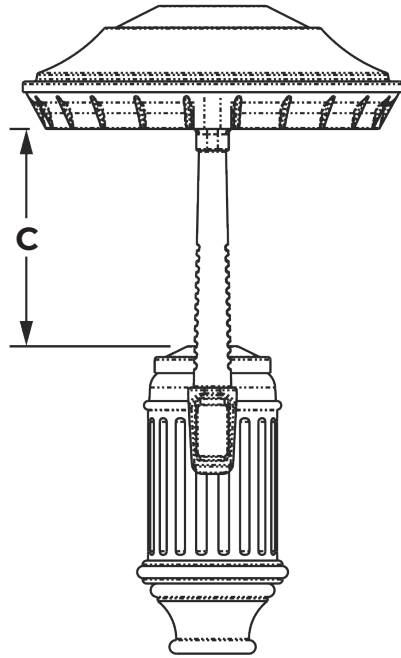
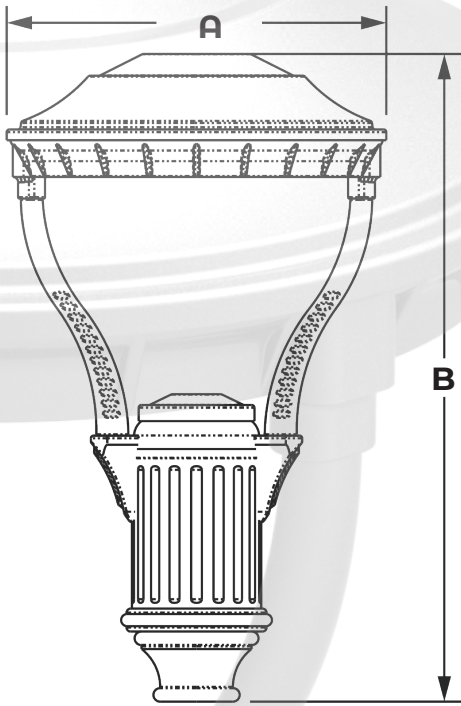
- Housing is Heavy Duty Aluminum Spun.
- 3 mil Powder Coat Finish.
- Clear Optics System.
- Silicone Gasket to prevent leakage and provide Weather-Tight Protection.
- Mounting: over of a 3" O.D Tenon or Pole (standard). Adapter is Required for other mounting sizes

**OPTIC DISTRIBUTION**



Example: ERIS-T3-20CLEd-50K-MV-T3R-BZ-HSS

Cat #	Wattage	Light Dist.	Color Temp.	Voltage	Finish	Mounting	Options
Eris (ERIS)	20W <b>(20CLEd)</b>	Type 2 <b>(T2)</b>	3000K <b>(30K)</b>	120-277V <b>(MV)</b>	Black <b>(BLK)</b>	3"OD Standard	Motion Sensor <b>(OCS)</b>
	40W <b>(40CLEd)</b>	Type 3 <b>(T3)</b>	4000K <b>(40K)</b>	480V <b>(HV)</b>	White <b>(WHT)</b>	<b>(T3R)</b>	Button Photo Cell <b>(PC)</b>
	50W <b>(50CLEd)</b>	Type 4 <b>(T4)</b>	5000K <b>(50K)</b>		Silver <b>(SLR)</b>		Wireless controls <b>(WC)</b>
	60W <b>(60CLEd)</b>	Type 5 <b>(T5)</b>			Bronze <b>(BRZ)</b>		House Side Shield <b>(HSS)</b>
	70W <b>(70CLEd)</b>				Graphite <b>(GPH)</b>		
	80W <b>(85CLEd)</b>				Custom <b>(CST)</b>		
	100W <b>(100CLEd)</b>						
	120W <b>(120CLEd)</b>						



Cat#	A	B	C	EPA
ERIS	16" 5/8	30"	10"	1.34

Cat #	Input Power	Lumen Output	LPW	Color Temp. (CCT)	CRI	Rated Life (L70)	Input Voltage	HID Equivalent
ERIS-20CLED	25W	3,650	182	5000K	70+	>200,000	120-277V	70W MH
ERIS-40CLED	45W	6,492	162	5000K	70+	>200,000	120-277V	150W HPS
ERIS-50CLED	55W	7,780	155	5000K	70+	>200,000	120-277V	150W MH
ERIS-60CLED	65W	8,539	142	5000K	70+	>200,000	120-277V	175W PSMH
ERIS-70CLED	75W	9,986	142	5000K	70+	>200,000	120-277V	250W MH
ERIS-80CLED	85W	12,984	155	5000K	70+	>200,000	120-277V	250W HPS
ERIS-100CLED	105W	15,561	155	5000K	70+	>200,000	120-277V	400W MH
ERIS-120CLED	125W	16,012	145	5000K	70+	>200,000	120-277V	400W PS

Proudly Manufactured and Assembled in the USA