

**CLP-330FAL-B**  
Architectural LED Bollard  
DESIGN-FUNCTION-QUALITY



*Crystal Lighting Corp.*







CLP-330FAL-B Architectural Bollard, combination of Security and Vandal-Resistant, Slim Bollard Design. Uniform illumination for Pathways and Landscape., 24, 36 or 42 standard heights. Ideal for lighting Pedestrian Walkways and Accenting the Exterior Grounds of Office or Apartment Buildings, Hotel and Parks.  
 -10 year/100,000 hour limited warranty.

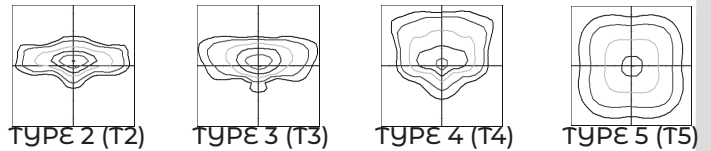
**Features:**

- Energy Savings: Over 66% compared to HID light sources
- Improved lumen maintenance
- Utilizes high efficient LED's
- Operating temperatures: -30°C ~ 60°C
- Driver: Constant current, 120-277v, 50/60Hz, 480v (Optional)
- Suitable for wet locations
- Dimming, occupancy sensors, photo cell and wireless controls capable (optional)
- Operating Life: >80,000 hours

**Construction**

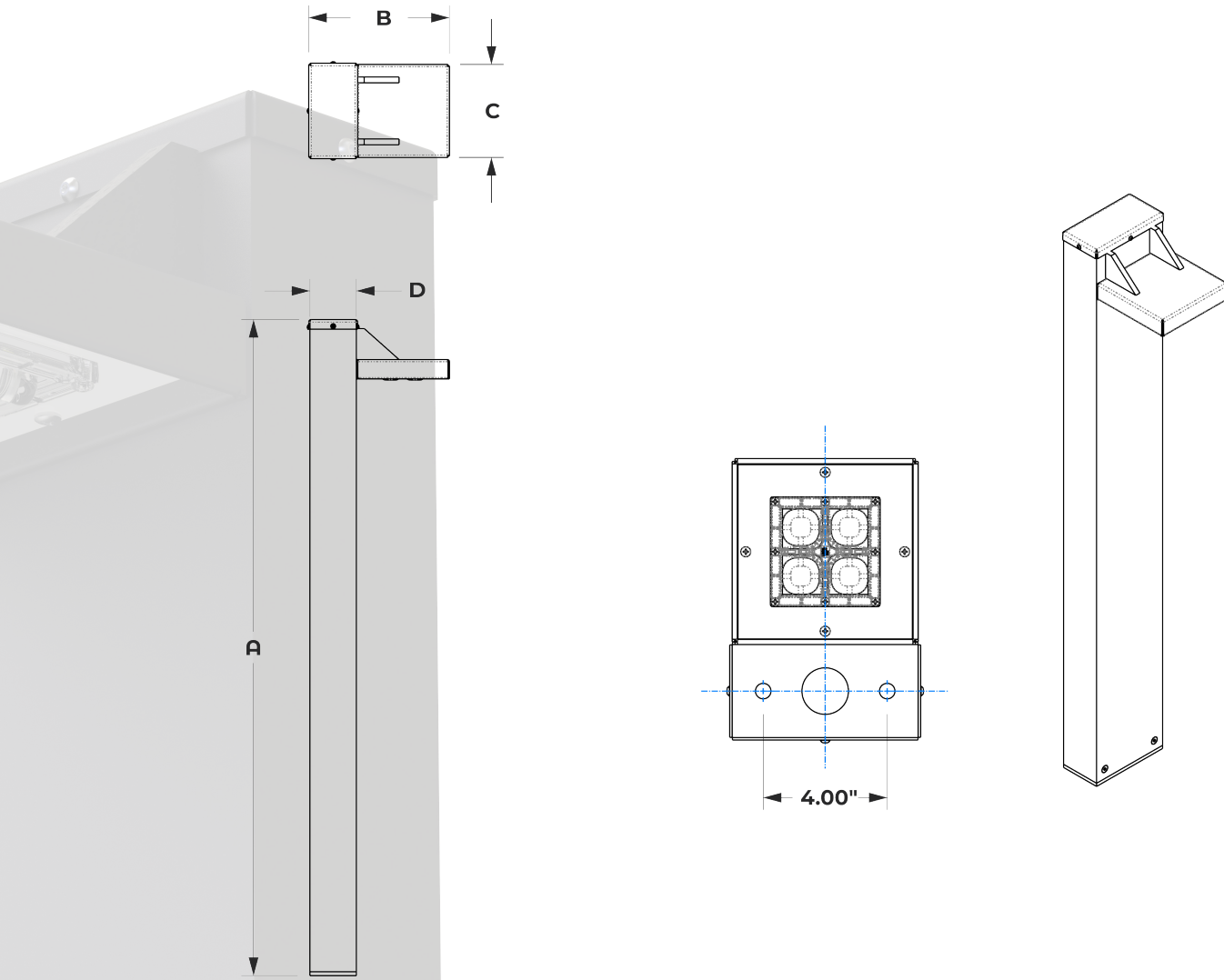
- Extruded Aluminum Body
- Powder coat finish
- Clear optical lens
- Silicone gasket to prevent leakage and provide weather-tight protection
- Mounting: 3/8 X 12"L Anchor Bolts Included

**OPTIC DISTRIBUTION**



Example: CLP-330FAL-B-36-20W-T3-30K-MV-BLK-BACK12

Cat #	Length	Wattage	Light Dist.	Color Temp.	Voltage	Finish	Mounting	Options
CLP-330FAL-B (CLP-330FAL-B)	24" (24)	12W (12CLEDD)	Type 2 (T2)	3000K (30K)	120-277V (MV)	Black (BLK)	3/8 Anchor 3/8x12"L	Emergency Batt. Pack (EMR)
	36" (36)	16W (16CLEDD)	Type 3 (T3)	4000K (40K)	480V (HV)	White (WHT)	Standard (BAK12)	
		24W (24CLEDD)	Type 4 (T4)	5000K (50K)		Silver (SLR)		Wireless controls (WC)
	42" (42)	36w (36CLEDD)	Type 5 (T5)			Bronze (BRZ)		
						Graphite (GPH)		
						Custom (CST)		



Cat#	A	B	C	D	EPA
CLP-330FAL-B	24"	10"	6"	3"	
CLP-330FAL-B	36"	10"	6"	3"	
CLP-330FAL-B	42"	10"	6"	3"	

Cat #	Input Power	Lumen Output	LPW	Color Temp. (CCT)	CRI	Rated Life (L70)	Input Voltage	HID Equivalent
CLP-330FAL-B-12CLED	13W	1,812	151	5000K	70+	>200,000	120-277V	70W MH
CLP-330FAL-B-16CLED	18W	2,484	155	5000K	70+	>200,000	120-277V	100W MH
CLP-330FAL-B-24CLED	26W	3,300	137	5000K	70+	>200,000	120-277V	100W HPS
CLP-330FAL-B-36CLED	40W	4,608	128	5000K	70+	>200,000	120-277V	150W MH

Proudly Manufactured and Assembled in the USA



Crystal Lighting  
13182 Flores ST.  
Santa Fe Springs , CA. 90670  
Ph: 562-944-0223  
[www.crystallighting.us](http://www.crystallighting.us)

Proudly manufactured and assembled in the USA