



The CLP-X43 is an architectural LED area light fixture constructed with rugged die-cast aluminum. IP66 OPTICS standard. Perfect for lighting up residential exteriors, walkways, perimeters, school campuses, industrial/commercial spaces, parking lots, recreational parks.

- 10 year/100,000 hour limited warranty.
- Dark Sky Luminaire

**FEACTURES**

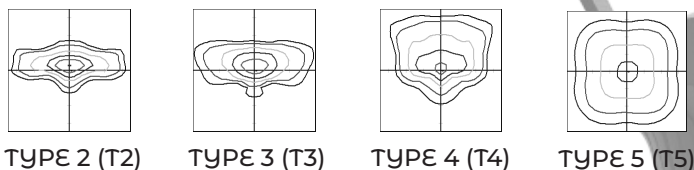
Energy Savings: Over 66% compared to HID light sources..  
 Improved lumen maintenance.  
 Utilizes high efficient Phillips Lumiled LED's.  
 Operating temperatures: -30°C ~ 60°C.  
 Driver: Constant current, 120-277v or 480v (Optional).  
 10Kv surge protector (Standard)  
 0-10Dimming, Occupancy Sensors, Photocell and Wireless Controls (Optional)

**CONSTRUCTION**

Housing is Heavy-Duty Cast Aluminum.  
 Clear Optical System  
 3 mils Powder Coat bronze finish (standard) various colors available  
 Silicone gasket provide weather-tight protection.  
 Mounting: over of a 3" O.D Tenon or Pole (standard) (Adapter is Required for other mounting sizes)



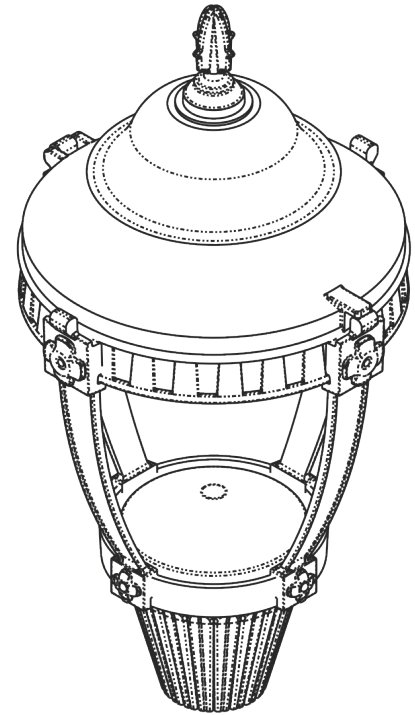
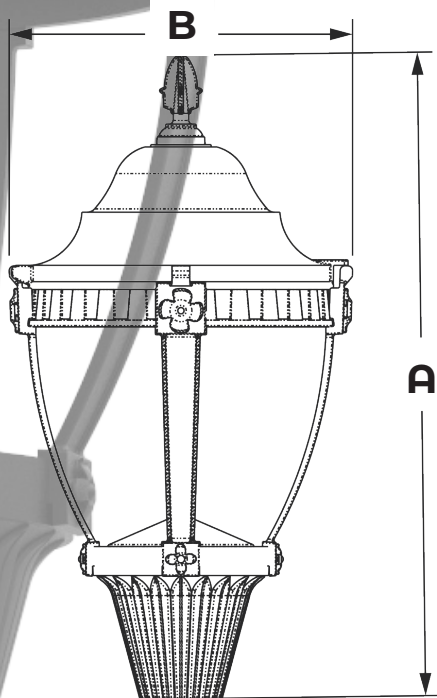
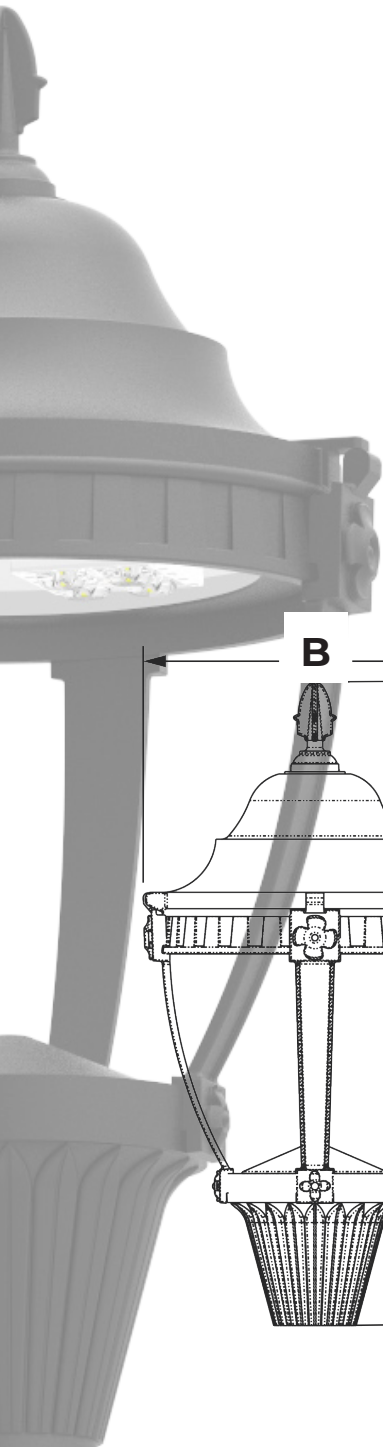
**OPTIC DISTRIBUTION**



Example: CLP-X43-40CLEd-T2-30K-MV-BLK-PC)



Cat #	Wattage	Light Dist.	Color Temp.	Voltage	Mounting	Finish	Options
CLP-X43	20W <b>(20CLEd)</b>	Type 2 <b>(T2)</b>	3000K <b>(30K)</b>	120-277V <b>(MV)</b>	3" OD <b>(3R)</b>	Black <b>(BLK)</b> White <b>(WHT)</b> Silver <b>(SLR)</b> Bronze <b>(BRZ)</b> Graphite <b>(GPH)</b> Custom <b>(CST)</b>	Occupancy Sensor <b>(OCC)</b> Photo Cell <b>(PC)</b> Wireless Control <b>(WC)</b>
	40W <b>(40CLEd)</b>	Type 3 <b>(T3)</b>	4000K <b>(40K)</b>	480V <b>(HV)</b>			
	50W <b>(50CLEd)</b>	Type 4 <b>(T4)</b>	5000K <b>(50K)</b>				
	60W <b>(60CLEd)</b>	Type 5 <b>(T5)</b>					
	80W <b>(80CLEd)</b>						
	100W <b>(100CLEd)</b>						
	120W <b>(120CLEd)</b>						



CAT#	A	B	EPA
CLP-X43	33" 3/8	17	1.4

Cat #	Input Power	Lumen Output	LPW	Color Temp. (CCT)	CRI	Rated Life (L70)	Input Voltage	HID Equivalent
CLP-X43-20CLED	25W	3,680	184	5000K	70+	>200,000	120-277V	50W MH
CLP-X43-40CLED	45W	6,492	162	5000K	70+	>200,000	120-277V	150W MH
CLP-X43-50CLED	55W	7,780	155	5000K	70+	>200,000	120-277V	250W MH
CLP-X43-60CLED	65W	8,539	142	5000K	70+	>200,000	120-277V	175W PSMH
CLP-X43-80CLED	85W	9,590	119	5000K	70+	>200,000	120-277V	250W PSMH
CLP-X43-100CLED	105W	12,306	123	5000K	70+	>200,000	120-277V	250W HPS
CLP-X43-120CLED	125W	16,012	133	5000K	70+	>200,000	120-277V	400W MH

Proudly Manufactured and Assembled in the USA