

CLP-X43

Architectural LED Luminaire
DESIGN-FUNCTION-QUALITY



Crystal Lighting Corp.





The CLP-X43 is an architectural LED area light fixture constructed with rugged die-cast aluminum. IP66 OPTICS standard . Perfect for lighting up residential exteriors, walkways, perimeters, school campuses, industrial/commercial spaces, parking lots, recreational parks.

- 10 year/100,000 hour limited warranty.
- Dark Sky Luminaire

FEACTURES

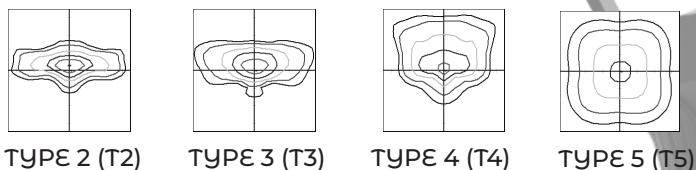
Energy Savings: Over 66% compared to HID light sources..
 Improved lumen maintenance.
 Utilizes high efficient Phillips Lumiled LED's.
 Operating temperatures: -30°C ~ 60°C.
 Driver: Constant current, 120-277v or 480v (Optional).
 10Kv surge protector (Standard)
 0-10Dimming, Occupancy Sensors, Photocell and Wireless Controls (Optional)

CONSTRUCTION

Housing is Heavy-Duty Cast Aluminum.
 Clear Optical System
 3 mils Powder Coat bronze finish (standard) various colors available
 Silicone gasket provide weather-tight protection.
 Mounting: over of a 3" O.D Tenon or Pole (standard) (Adapter is Required for other mounting sizes)



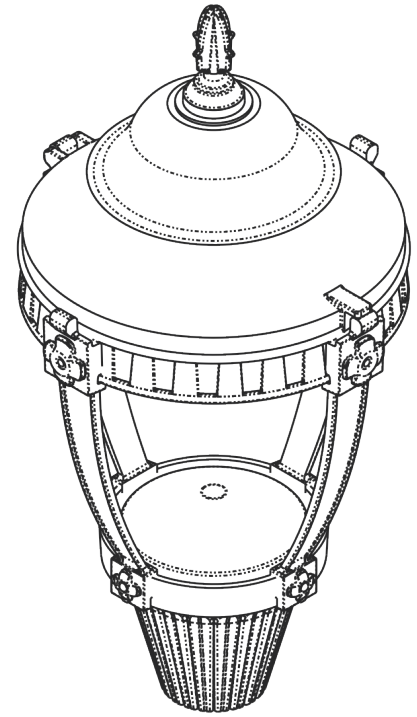
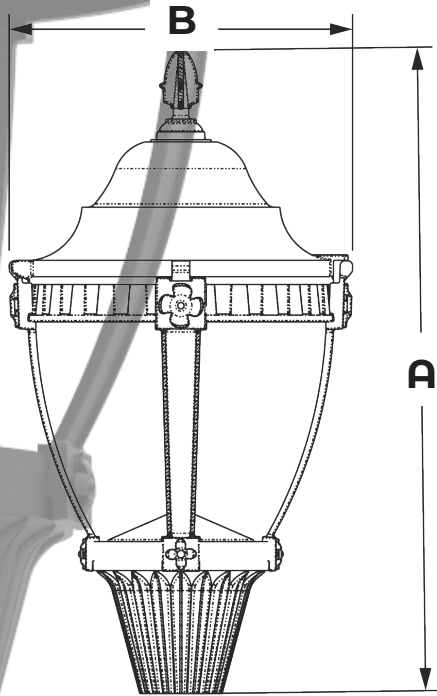
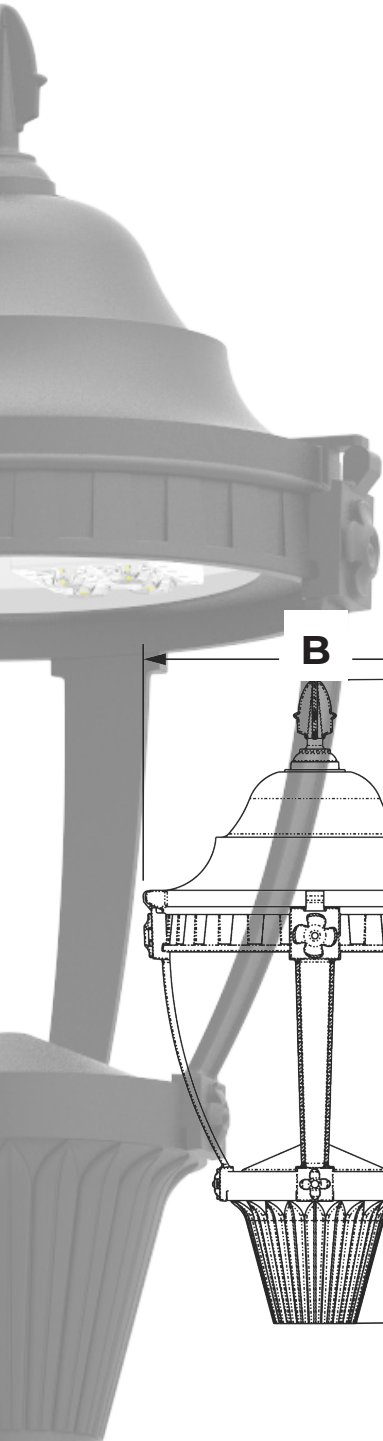
OPTIC DISTRIBUTION



Example: CLP-X43-40CLEd-T2-30K-MV-BLK-PC)



Cat #	Wattage	Light Dist.	Color Temp.	Voltage	Mounting	Finish	Options
CLP-X43	20W (20CLEd)	Type 2 (T2)	3000K (30K)	120-277V (MV)	3" OD (3R)	Black (BLK)	Occupancy Sensor (OCC) Photo Cell (PC) Wireless Control (WC)
	40W (40CLEd)	Type 3 (T3)	4000K (40K)	480V (HV)		White (WHT)	
	50W (50CLEd)	Type 4 (T4)	5000K (50K)			Silver (SLR)	
	60W (60CLEd)	Type 5 (T5)				Bronze (BRZ)	
	80W (80CLEd)					Graphite (GPH)	
	100W (100CLEd)					Custom (CST)	
	120W (120CLEd)						



CAT#	A	B	EPA
CLP-X43	33" 3/8	17	1.4

Cat #	Input Power	Lumen Output	LPW	Color Temp. (CCT)	CRI	Rated Life (L70)	Input Voltage	HID Equivalent
CLP-X43-20CLED	25W	3,680	184	5000K	70+	>200,000	120-277V	50W MH
CLP-X43-40CLED	45W	6,492	162	5000K	70+	>200,000	120-277V	150W MH
CLP-X43-50CLED	55W	7,780	155	5000K	70+	>200,000	120-277V	250W MH
CLP-X43-60CLED	65W	8,539	142	5000K	70+	>200,000	120-277V	175W PSMH
CLP-X43-80CLED	85W	9,590	119	5000K	70+	>200,000	120-277V	250W PSMH
CLP-X43-100CLED	105W	12,306	123	5000K	70+	>200,000	120-277V	250W HPS
CLP-X43-120CLED	125W	16,012	133	5000K	70+	>200,000	120-277V	400W MH

Proudly Manufactured and Assembled in the USA



Crystal Lighting
13182 Flores ST.
Santa Fe Springs , CA. 90670
Ph: 562-944-0223
www.crystallighting.us

Proudly manufactured and assembled in the USA