



PULSAR Architectural LED Post Mount Luminaire, suitable for wet locations. Perfect for lighting up Residential Exteriors, Walkways, Perimeters, School Campuses, Industrial/Commercial Spaces, Parking Lots, Recreational Parks.

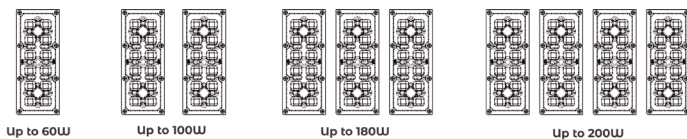
- Dark Sky compliant
- 10 Year /100,000 warranty.

**FEATURES:**

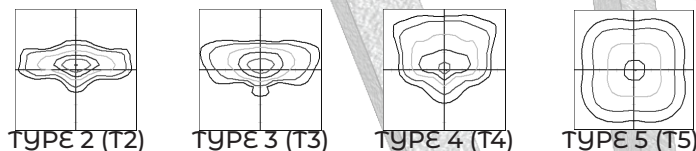
- Energy Savings: Over 66% compared to HID light sources
- Improved lumen maintenance
- Utilizes high efficient Lumiled LED's
- Operating temperatures: -30°C ~ 60°C
- Driver: Constant current, 120-277v or, 480v (Optional)
- 10Kv Surge Protector. (standard)
- 0-10V Dimming, occupancy sensors, photo cell or wireless controls (optional)

**CONSTRUCTION:**

- Housing is Heavy Duty Aluminum Spun.
- 3 mil Powder Coat Finish.
- Clear Optics System.
- Silicone Gasket to prevent leakage and provide Weather-Tight Protection.
- Mounting: over of a 3" O.D Tenon or Pole (standard). Adapter is Required for other mounting sizes



**OPTIC DISTRIBUTION**



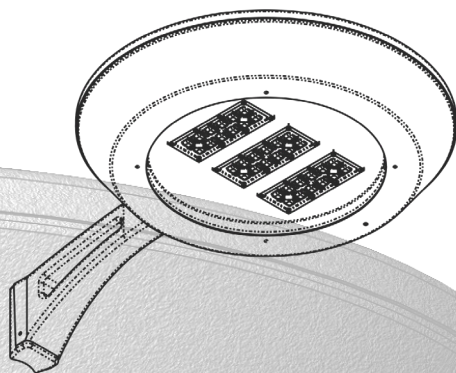
Example: PLSR-I-T3-20CLEd-50K-MV-T3R-BZ-HSS



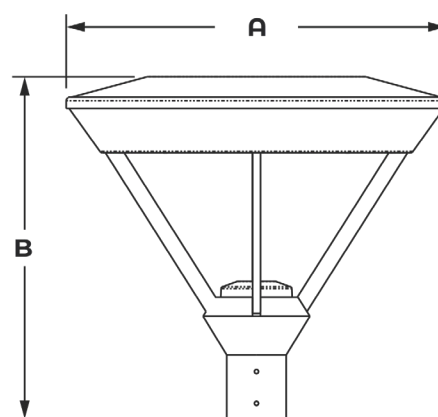
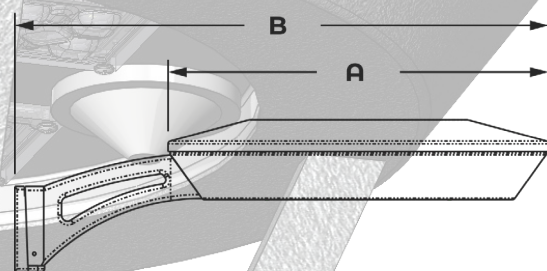
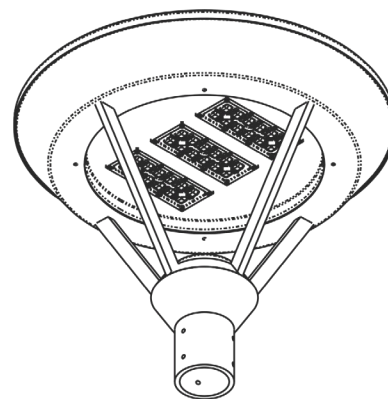
Cat #	Wattage	Light Dist.	Color Temp.	Voltage	Finish	Mounting	Options
Pulsar S (PLSR-S)	20W (20CLEd)	Type 2 (T2)	3000K (30K)	120-277V (MV)	Black (BLK)	Post Mount 3"OD	Motion Sensor (OCS)
	40W (40CLEd)	Type 3 (T3)	4000K (40K)	480V (HV)	White (WHT)	Standard (PM3)	Button Photo Cell (PC)
	50W (50CLEd)	Type 4 (T4)	5000K (50K)		Silver (SLR)	Sweep Arm Mount (SAM)	Wireless controls (WC)
	60W (60CLEd)	Type 5 (T5)			Bronze (BRZ)	(PLSR-I and PLSR-II Only)	House Side Shield (HSS)
Pulsar I (PLSR-I)	70W (70CLEd)				Graphite (GPH)		
	80W (85CLEd)				Custom (CST)		
	100W (100CLEd)						
Pulsar II (PLSR-II)	150W (150CLEd)						
	180W (180CLEd)						
	200W (200CLEd)						

Rev`d : 4/3/20

PLSR-SAM



PLSR-PM3



Cat#	A	B	EPA
PLSR-S-PM3	16"	21"	.75
PLSR-I-PM3	20"	21"	.90
PLSR-II-PM3	24"	21"	1.18
PLSR-I-SAM	20"	29" 5/8	.8
PLSR-II-SAM	24"	33" 5/8	1.00

Cat #	Input Power	Lumen Output	LPW	Color Temp. (CCT)	CRI	Rated Life (L70)	Input Voltage	HID Equivalent
PLSR-S-20CLED	25W	3,650	182	5000K	70+	>200,000	120-277V	70W MH
PLSR-S-40CLED	45W	6,492	162	5000K	70+	>200,000	120-277V	150W HPS
PLSR-S-50CLED	55W	7,780	155	5000K	70+	>200,000	120-277V	150W MH
PLSR-S-60CLED	65W	8,539	142	5000K	70+	>200,000	120-277V	175W PSMH
PLSR-I-70CLED	75W	9,986	142	5000K	70+	>200,000	120-277V	250W MH
PLSR-I-80CLED	85W	12,984	155	5000K	70+	>200,000	120-277V	250W HPS
PLSR-I-100CLED	105W	15,561	155	5000K	70+	>200,000	120-277V	400W MH
PLSR-II-150CLED	155W	23,340	145	5000K	70+	>200,000	120-277V	400W PS
PLSR-II-180CLED	185W	28,010	155	5000K	70+	>200,000	120-277V	500W MH
PLSR-II-200CLED	200W	31,120	155	5000K	70+	>200,000	120-277V	750W PSMH

Proudly Manufactured and Assembled in the USA