

CLP-TC has an elegant design that adds style and class to any location. A few locations that this fixture is suitable for are: townships, parks, walkways, housing communities, and driveways. Internally, the CLP-TC is durable, reliable and designed to tolerate wet locations.
 -10 Year/100,000 hour limited warranty is included.

Features

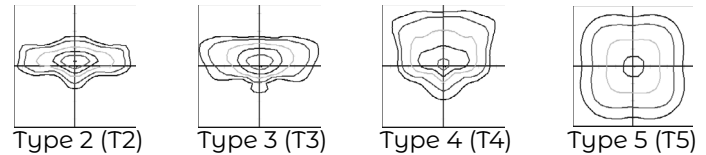
- Energy Savings: Over 60% compared to HID light sources
- Improved lumen maintenance.
- Manufactured with high efficient Lumiled® LED'S.
- Operating Temperatures: -30°C ~ 60°C.
- Driver: Constant current, 120-277v, 50/60Hz, 480v (Optional).
- Suitable for wet locations.
- 0-10 Dimming, Occupancy Sensors, Photo Cell and Wireless Controls (Optional)
- 10Kv Surge Protector. (standard)
- Operating life: >200,000 hours



Construction

- Housing is heavy-duty Cast Aluminum.
- 3 Mil. Powder Coating Finish.
- Frosted Acrylic Lens (Standard).
- Silicone gasket to prevent leakage and provide weather-tight protection.
- Mounting: Over 3" O.D Pole or Tenon (standard), Adapter is required for other mountings .

Optic Distribution

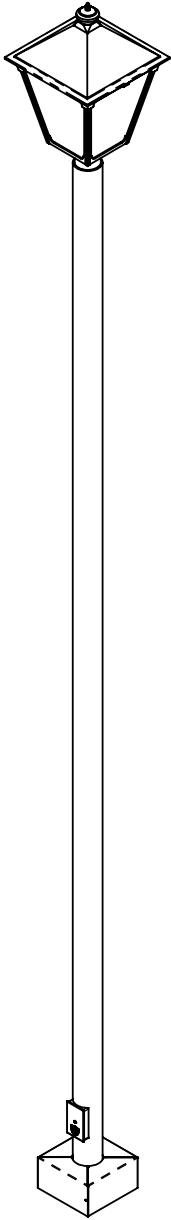


Example: CLP-TC-40CLED-T3-50K-MV-BZ-3R-HSS

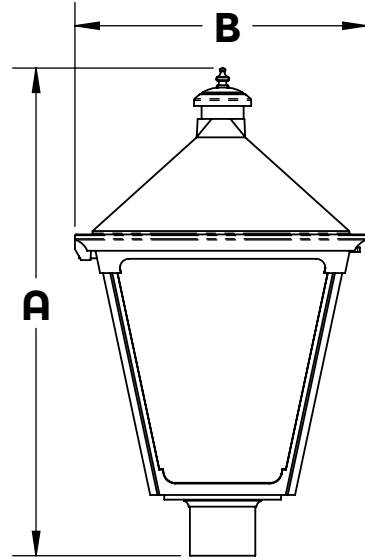
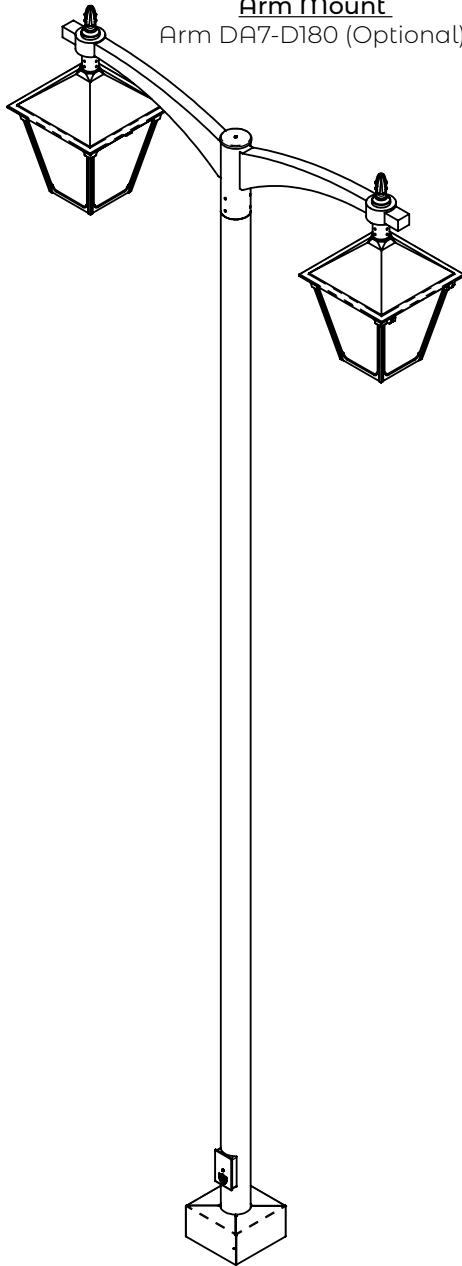
CLP-TC							
Cat #	Wattage	Light Dist.	Color Temp.	Voltage	Finish	Mounting	Options
CLP-TC	40W (40CLED)	Type 2 (T2)	3000K (30K)	120-277V (MV)	Black (BLK)	3"O.D Tenon (3R)	Button Photo Cell (PC)
	50W (50CLED)	Type 3 (T3)	4000K (40K)	480V (HV)	White (WHT)		Wattage Adjuster (WA)
	60w (60CLED)	Type 4 (T4)	5000K (50K)		Silver (SLR)		House Side Shield (HSS)
	80w (80CLED)	Type 5 (T5)			Bronze (BRZ)		Opal Acrylic Lens (OAL)
	100W (100CLED)				Graphite (GPH)		No Lens (NL)
					Custom (CST)		



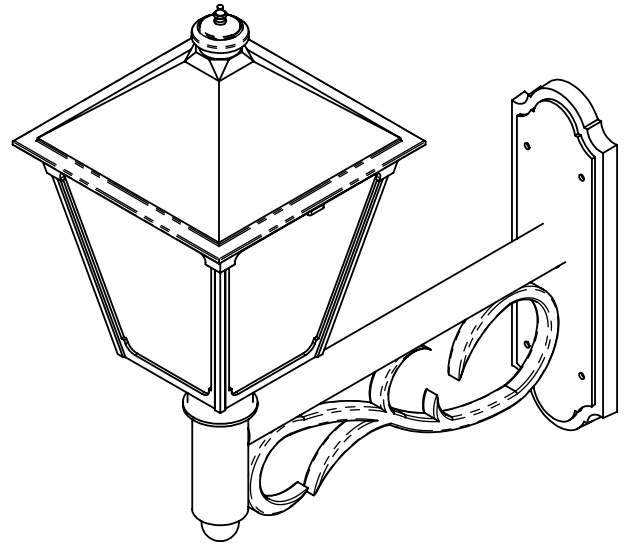
Post Top



Arm Mount
Arm DA7-D180 (Optional)



Dimensions			
Cat#	A	B	EPA
CLP-TC	26"	15" 1/2	1.48



Wall Mount
Arm CLP-246B (Optional)

Cat #	Input Power	Lumen Output	LPW	Color Temp. (CCT)	CRI	Rated Life (L70)	Input Voltage	HID Equivalent
CLP-TC-40CLED	45W	5,475	136	5000K	70+	>200,000	120-277V	150W HPS
CLP-TC-50CLED	55W	6,548	130	5000K	70+	>200,000	120-277V	150W MH
CLP-TC-60CLED	65W	8320	136	5000K	70+	>200,000	120-277V	250 HPS
CLP-TC-80CLED	85W	10,340	129	5000K	70+	>200,000	120-277V	250W MH
CLP-TC-100CLED	105W	14,984	146	5000K	70+	>200,000	120-277V	250W HPS

Proudly Manufactured and Assembled in the USA