

CLP-TC Series

Architectural LED Lighting
DESIGN-FUNCTION-QUALITY



Crystal Lighting Corp.



CLP-TC has an elegant design that adds style and class to any location. A few locations that this fixture is suitable for are: townships, parks, walkways, housing communities, and driveways. Internally, the CLP-TC is durable, reliable and designed to tolerate wet locations.
 -10 Year/100,000 hour limited warranty is included.

Features

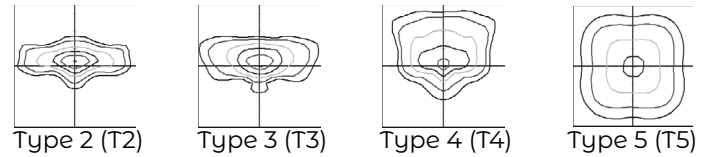
- Energy Savings: Over 60% compared to HID light sources
- Improved lumen maintenance.
- Manufactured with high efficient Lumiled® LED'S.
- Operating Temperatures: -30°C ~ 60°C.
- Driver: Constant current, 120-277v, 50/60Hz, 480v (Optional).
- Suitable for wet locations.
- 0-10 Dimming, Occupancy Sensors, Photo Cell and Wireless Controls (Optional)
- 10Kv Surge Protector. (standard)
- Operating life: >200,000 hours



Construction

- Housing is heavy-duty Cast Aluminum.
- 3 Mil. Powder Coating Finish.
- Frosted Acrylic Lens (Standard).
- Silicone gasket to prevent leakage and provide weather-tight protection.
- Mounting: Over 3" O.D Pole or Tenon (standard), Adapter is required for other mountings .

Optic Distribution

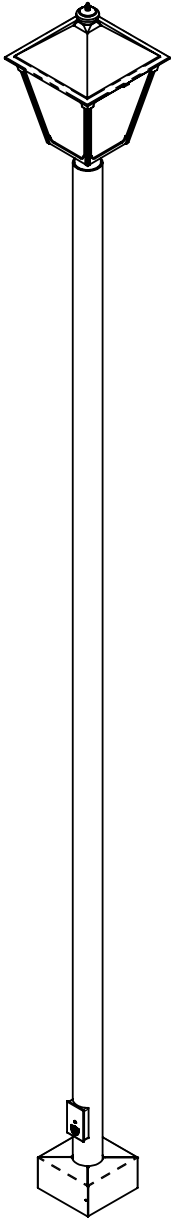


Example: CLP-TC-40CLED-T3-50K-MV-BZ-3R-HSS

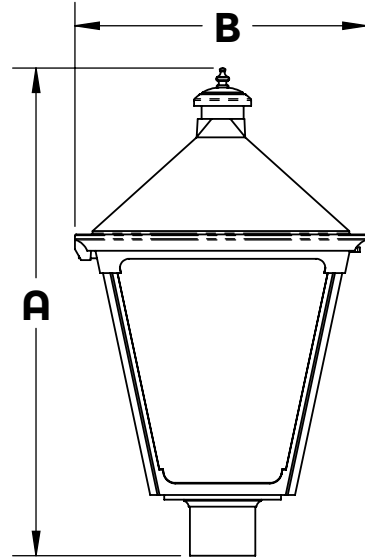
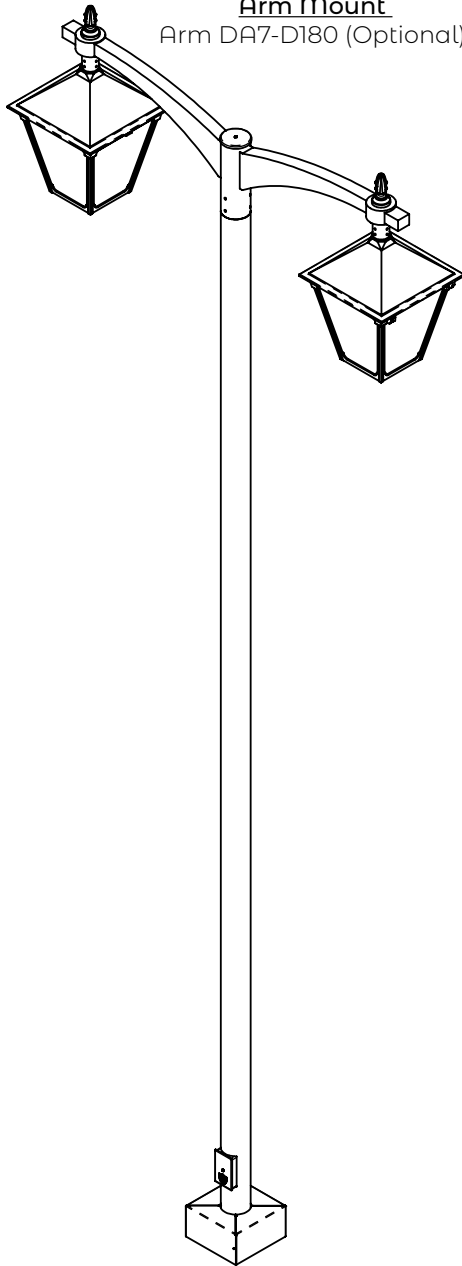
| CLP-TC | | | | | | | |
|--------|-------------------|----------------|----------------|------------------|-------------------|---------------------|----------------------------|
| Cat # | Wattage | Light Dist. | Color Temp. | Voltage | Finish | Mounting | Options |
| CLP-TC | 40W (40CLED) | Type 2 (T2) | 3000K (30K) | 120-277V (MV) | Black (BLK) | 3"O.D Tenon (3R) | Button Photo Cell (PC) |
| | 50W (50CLED) | Type 3 (T3) | 4000K (40K) | 480V (HV) | White (WHT) | | Wattage Adjuster (WA) |
| | 60w (60CLED) | Type 4 (T4) | 5000K (50K) | | Silver (SLR) | | House Side Shield (HSS) |
| | 80w (80CLED) | Type 5 (T5) | | | Bronze (BRZ) | | Opal Acrylic Lens (OAL) |
| | 100W (100CLED) | | | | Graphite (GPH) | | No Lens (NL) |
| | | | | | Custom (CST) | | |



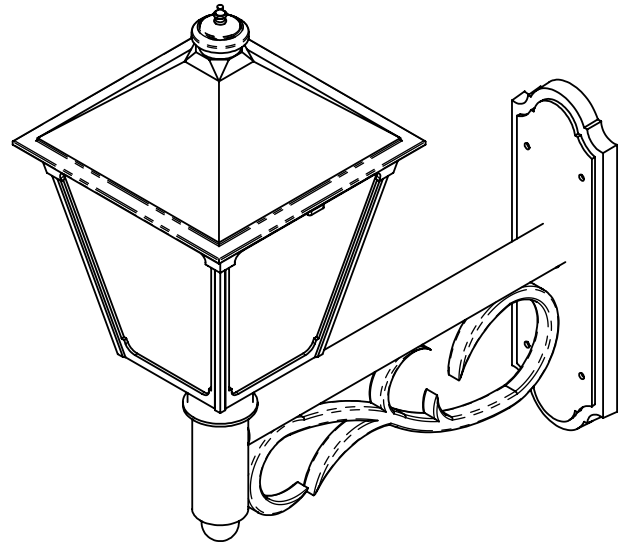
Post Top



Arm Mount
Arm DA7-D180 (Optional)



| Dimensions | | | |
|------------|-----|---------|------|
| Cat# | A | B | EPA |
| CLP-TC | 26" | 15" 1/2 | 1.48 |



Wall Mount
Arm CLP-246B (Optional)

| Cat # | Input Power | Lumen Output | LPW | Color Temp. (CCT) | CRI | Rated Life (L70) | Input Voltage | HID Equivalent |
|----------------|-------------|--------------|-----|-------------------|-----|------------------|---------------|----------------|
| CLP-TC-40CLED | 45W | 5,475 | 136 | 5000K | 70+ | >200,000 | 120-277V | 150W HPS |
| CLP-TC-50CLED | 55W | 6,548 | 130 | 5000K | 70+ | >200,000 | 120-277V | 150W MH |
| CLP-TC-60CLED | 65W | 8320 | 136 | 5000K | 70+ | >200,000 | 120-277V | 250 HPS |
| CLP-TC-80CLED | 85W | 10,340 | 129 | 5000K | 70+ | >200,000 | 120-277V | 250W MH |
| CLP-TC-100CLED | 105W | 14,984 | 146 | 5000K | 70+ | >200,000 | 120-277V | 250W HPS |

Proudly Manufactured and Assembled in the USA



Crystal Lighting
13182 Flores ST.
Santa Fe Springs , CA. 90670
Ph: 562-944-0223
www.crystallighting.us

Proudly manufactured and assembled in the USA