



CLP-205B Architectural LED Post Mount or Pendant Mount Luminaire, suitable for wet locations. Perfect for lighting up Commercial Exteriors, Walkways, Perimeters, School Campuses, Industrial Spaces, Parking Lots, Recreational Parks.

-10 Year /100,000 warranty.

Features:

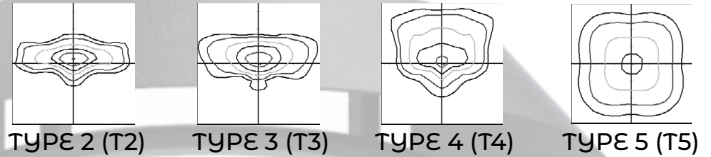
- Energy Savings: Over 66% compared to HID light sources
- Improved lumen maintenance
- Utilizes high efficient Lumiled LED's
- Operating temperatures: -30°C ~ 60°C
- Driver: Constant current, 120-277v or, 480v (Optional)
- 10Kv Surge Protector. (standard)
- 0-10V Dimming, Button Photo Cell or wireless controls (optional)

Construction:

- Shades are Heavy Gauge Aluminum Spun.
- 3 mil Powder Coat Finish.
- Clear Optics System.
- Silicone Gasket to prevent leakage and provide Weather-Tight Protection.
- Mounting: over of a 3" O.D Tenon or Pole (standard). Adapter is Required for other mounting sizes



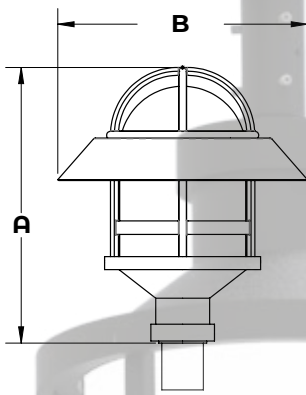
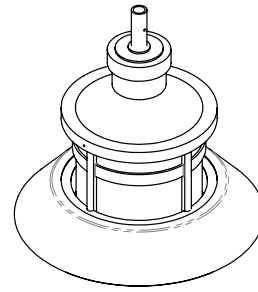
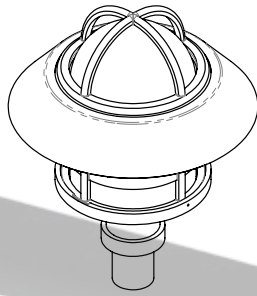
OPTIC DISTRIBUTION



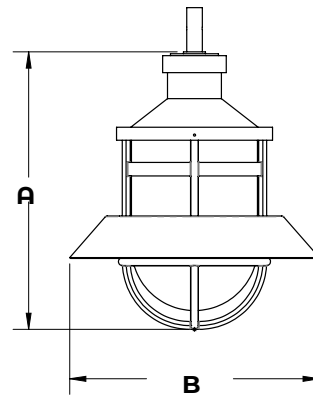
Example: CLP-205B-20CLED-50K-MV-T3R-BZ-HSS



Cat #	Wattage	Light Dist.	Color Temp.	Voltage	Finish	Mounting	Options
CLP-205B (CLP-205B)	40W (40CLED)	Type 3 (T3)	3000K (30K)	120-277V (MV)	Black (BLK)	Post Top 3"OD	Button Photo Cell (PC)
	50W (50CLED)	Type 5 (T5)	4000K (40K)	480V (HV)	White (WHT)	Standard (PT3)	Wireless controls (WC)
	60W (60CLED)		5000K (50K)		Silver (SLR)	Pendant Mount (PM)	House Side Shield (HSS)
	70W				Bronze (BRZ)		
					Graphite (GPH)		
					Custom (CST)		



POST TOP (PT3)



POST TOP (PT3)

Cat#	A	B	EPA
CLP-205B-PT3	26" 1/2	24"	
CLP-205B-PM	26" 5/8	24	

Cat #	Input Power	Lumen Output	LPW	Color Temp. (CCT)	CRI	Rated Life (L70)	Input Voltage	HID Equivalent
CLP-205B-40CLED	45W	6,492	162	5000K	70+	>200,000	120-277V	150W HPS
CLP-205B-50CLED	55W	7,780	155	5000K	70+	>200,000	120-277V	150W MH
CLP-205B-60CLED	65W	8,539	142	5000K	70+	>200,000	120-277V	175W PSMH