

**CLP-205B**  
Architectural LED Lighting  
DESIGN-FUNCTION-QUALITY



*Crystal Lighting Corp.*





CLP-205B Architectural LED Post Mount or Pendant Mount Luminaire, suitable for wet locations. Perfect for lighting up Commercial Exteriors, Walkways, Perimeters, School Campuses, Industrial Spaces, Parking Lots, Recreational Parks.

-10 Year /100,000 warranty.

**Features:**

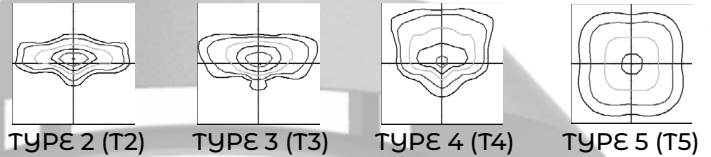
- Energy Savings: Over 66% compared to HID light sources
- Improved lumen maintenance
- Utilizes high efficient Lumiled LED's
- Operating temperatures: -30°C ~ 60°C
- Driver: Constant current, 120-277v or, 480v (Optional)
- 10Kv Surge Protector. (standard)
- 0-10V Dimming, Button Photo Cell or wireless controls (optional)

**Construction:**

- Shades are Heavy Gauge Aluminum Spun.
- 3 mil Powder Coat Finish.
- Clear Optics System.
- Silicone Gasket to prevent leakage and provide Weather-Tight Protection.
- Mounting: over of a 3" O.D Tenon or Pole (standard). Adapter is Required for other mounting sizes



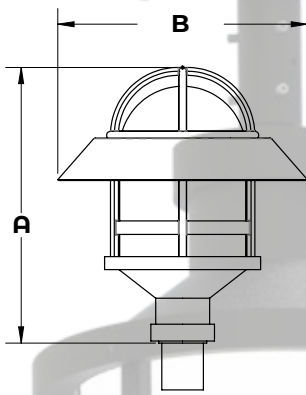
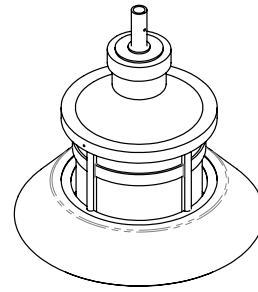
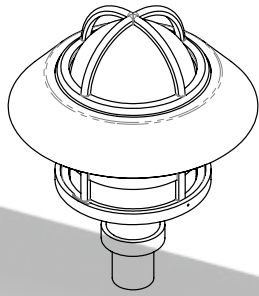
**OPTIC DISTRIBUTION**



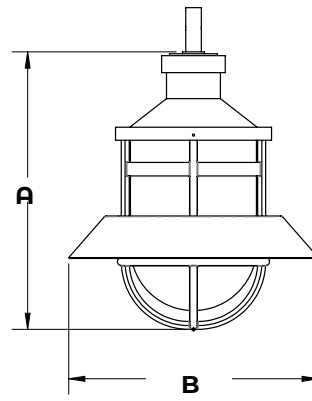
Example: CLP-205B-20CLED-50K-MV-T3R-BZ-HSS



Cat #	Wattage	Light Dist.	Color Temp.	Voltage	Finish	Mounting	Options
CLP-205B (CLP-205B)	40W <b>(40CLED)</b>	Type 3 <b>(T3)</b>	3000K <b>(30K)</b>	120-277V <b>(MV)</b>	Black <b>(BLK)</b>	Post Top 3"OD	Button Photo Cell <b>(PC)</b>
	50W <b>(50CLED)</b>	Type 5 <b>(T5)</b>	4000K <b>(40K)</b>	480V <b>(HV)</b>	White <b>(WHT)</b>	Standard <b>(PT3)</b>	Wireless controls <b>(WC)</b>
	60W <b>(60CLED)</b>		5000K <b>(50K)</b>		Silver <b>(SLR)</b>	Pendant Mount <b>(PM)</b>	House Side Shield <b>(HSS)</b>
	70W				Bronze <b>(BRZ)</b>		
					Graphite <b>(GPH)</b>		
					Custom <b>(CST)</b>		



POST TOP (PT3)



POST TOP (PT3)

Cat#	A	B	EPA
CLP-205B-PT3	26" 1/2	24"	
CLP-205B-PM	26" 5/8	24"	

Cat #	Input Power	Lumen Output	LPW	Color Temp. (CCT)	CRI	Rated Life (L70)	Input Voltage	HID Equivalent
CLP-205B-40CLED	45W	6,492	162	5000K	70+	>200,000	120-277V	150W HPS
CLP-205B-50CLED	55W	7,780	155	5000K	70+	>200,000	120-277V	150W MH
CLP-205B-60CLED	65W	8,539	142	5000K	70+	>200,000	120-277V	175W PSMH



Crystal Lighting  
13182 Flores ST.  
Santa Fe Springs , CA. 90670  
Ph: 562-944-0223  
[www.crystallighting.us](http://www.crystallighting.us)

Proudly manufactured and assembled in the USA