

Malibu Sq. Aluminum Housing with Optional Vandal-Resistant Base, 3 Mil Powder Coat Finish, Polycarbonate Lens (Standard). 3/8 x 10" Long Anchor Bolts (Included). LED Array Optional 15W, 20W and 30 System. Ideal for Lighting Pedestrian Walkways and Accenting the Exterior Grounds of Office and Apartment Buildings, Hotel and Parks.

- 10 Year Limited Warranty.

Features

- Energy Savings: Over 66% compared to HID light sources.
- Improved lumen maintenance
- High efficient LED's
- Operating temperatures: -30°C ~ 60°C.
- Driver: Constant current, 120~277v, 50/60Hz, 480v (Optional)
- Suitable for wet locations.
- 0-10 Dimming Driver, Photo Cell, Micro Wave Sensor and Wireless Controls (Optional).
- Operating Life: >200,000 hours.

Construction

- Extruded Aluminum Body with Cast Aluminum Base and Optional Louvers.
- 3 Mil Powder Coat finish (Many Finish Available).
- Clear Polycarbonate Lens (Standard).
- Silicone Gasket to Prevent Leakage and Provide Weather-Tight Protection
- Mounting: Mounting Kit with(3x) 10" Anchor Bolts Included



CAST GRILL



PARA LINE

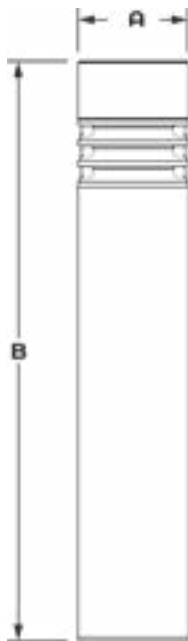
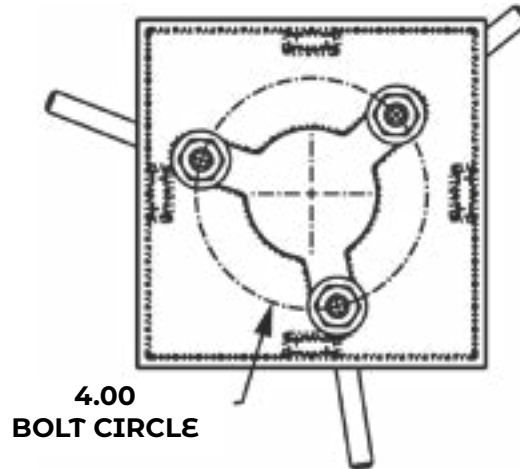


STOCK LOUVER

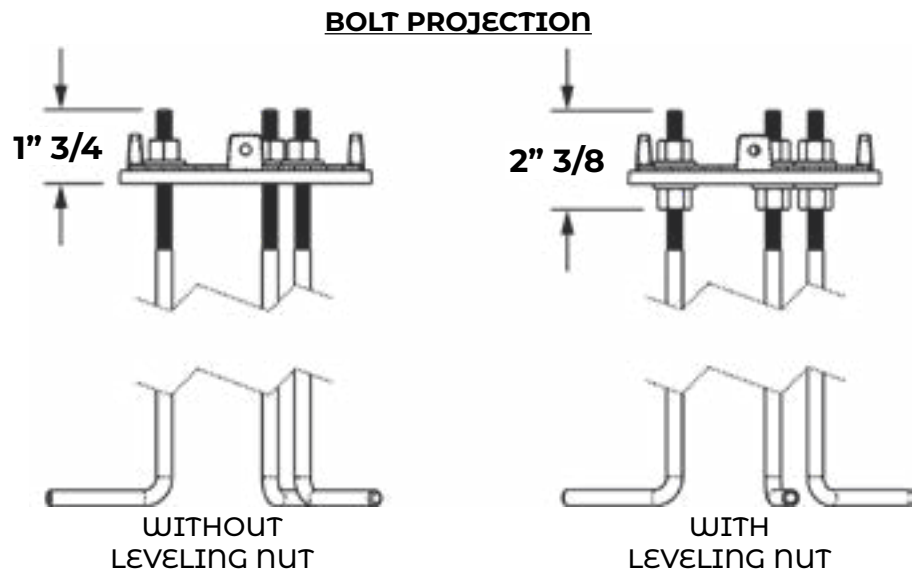
Example: MLB-8S-42-CG-FT-20CLEd-40K-MV-BRZ-MWS



Cat #	Dia.	Height	Light Dist.	Top	Wattage	Color Temp.	Voltage	Color	Options
Malibu Sq. (MLB)	8" SQ. (8S)	42" (42) 36" (36) 24" (24)	Cast Grill 45° (CG) ParaLine (PR) Stock Louver (SL)	Flat Top (FT)	15W (15CLEd) 20W (20CLEd) 30W (30CLEd)	3000K (30K) 4000K (40K) 5000K (50K)	120-277V (MV) 480V (HV)	Black (BLK) White (WH) Bronze (BRZ) Silver (SIL) Graphite (GPH) Marine Grade (MG)	*Micro Wave Sensor (MWS) *Motion Sensor Button Photo Cell (PC) Wireless controls (WC) Opal Acrylic Lens (OAL) **Emergency Batt. Pack (EMR) (**42" 36" Height only)



Dimensions		
Cat#	A	B
MLB-8S	8SQ	42



Cat #	Input Power	Lumen Output	LPW	Color Temp. (CCT)	CRI	Rated Life (L70)	Input Voltage	HID Equivalent
MLB-8S-15CLED	20W	2,754	183	5000K	70+	>200,000	120-270V	50/60HZ
MLB-8S-20CLED	25W	3,650	182	5000K	70+	>200,000	120-277V	50/60HZ
MLB-8S-30CLED	35W	5,509	183	5000K	70+	>200,000	120-277V	50/60HZ

Proudly Manufactured and Assembled in the USA