

CLP-M58
Architectural LED Lighting
DESIGN - QUALITY



Crystal 
Lighting

CLP-M58, has a sophisticated and Unique Design, Vandal Proof and high quality Cast Aluminum . It is ideal for illuminating spaces such as: Parking Areas, Entrances, Shopping Mall, Libraries, Walkways, Recreation Parks and much more.
-10 year/100,000 hour limited warranty.



FEATURES

- Energy Savings: Over 66% compared to HID light sources
- Improved lumen maintenance
- Vandal resistant
- Utilizes high efficient Lumileds LED's
- 10Kv Surge Protector. (standard)
- Operating temperatures: -30°C ~ 60°C
- Driver: Constant current, 120-277v or 480v (Optional)
- 0-10v Dimming, Occupancy Sensors, Photo Cell or Wireless Controls (optional)

CONSTRUCTION

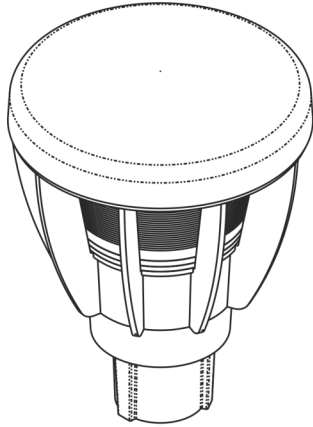
- Housing is Heavy-Duty Cast Aluminum.
- 3mil Powder Coat, Bronze Finish (Standard)
- Clear Prismatic Acrylic Type 5 (Standard)
- Silicone Gasket to prevent leakage and provide Weather-Tight Protection.
- Mounting: Mount over 3" O.D Pole or Tenon. (Adapter is required for other mounting sizes)



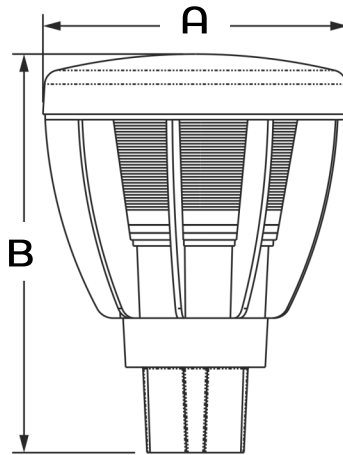
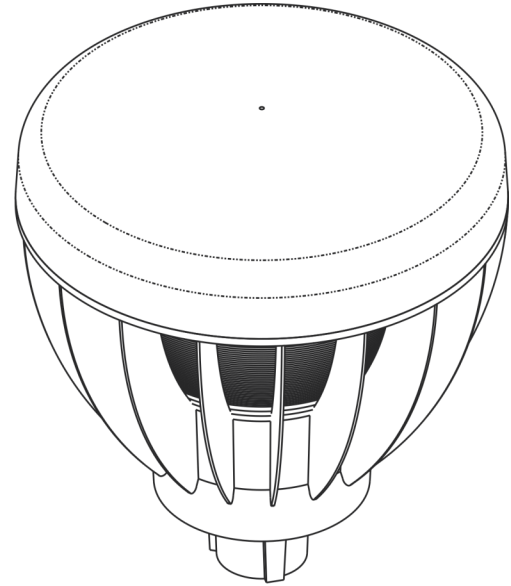
Example: (CLP-M58-50CLEd-T5-30K-MV-3R-BZ-PC)

MODEL	WATTS	OPTIC TYPE	COLOR TEMP	VOLTAGE	MOUNTING	FINISH	OPTIONS
CLP-M58-S	25W (25CLEd)	TYPE 3 (T3)	3000K (30K)	120-277V (MV)	3" Fitter (3R)	BLACK (BLK)	BUTTON PHOTO CELL (PC)
	35W (35CLEd)	TYPE 4 (T4)	4000K (40K)	480V (HV)		WHITE (WH)	MOTION SENSOR (OCC)
CLP-M58-L	50W (50LED)	TYPE 5 (T5)	5000K (50K)			BRONZE (BRZ)	WIRELESS CONTROL (WC)
	70W (70LED)					GRAY (GRY)	FROSTED ACRYLIC LENS (FAL)
	100W (100LED)					GRAPHITE (GPH)	
						MARINE GRADE (MG)	

CLP-M58-S



CLP-M58-L



Shade Dimensions			EPA
CAT#	A	B	
CLP-M58-S	12" 3/4	16" 1/2	.7
CLP-M48-L	20" 1/2	22" 5/8	1.5

CAT #	INPUT POWER	LUMEN OUTPUT	LP/W	COLOR TEMP. (CCT)	CRI	RATED LIFE (L70)	INPUT VOLTAGE	INPUT FREQUENCY	HID Equivalent
CLP-M58-S-20CLED	25W	3,650	182	5000K	70+	>200,000	120-277V	50/60HZ	100w MH
CLP-M58-S-40CLED	45W	6,492	162	5000K	70+	>200,000	120-277V	50/60HZ	150w HPS
CLP-M58-L-50CLED	55W	7,780	155	5000K	70+	>200,000	120-277V	50/60HZ	250w MH
CLP-M58-L-60CLED	65W	8,539	142	5000K	70+	>200,000	120-277V	50/60HZ	250w PSMH
CLP-M58-L-70CLED	75W	9,986	142	5000K	70+	>200,000	120-277V	50/60HZ	250w HPS
CLP-M58-L-100CLED	105W	15,561	155	5000K	70+	>200,000	120-277V	50/60HZ	350w HPS



Crystal Lighting Corp.
13182 Flores St,
Santa Fe Springs, CA 90670
Ph: 562-944-0223
Fax: 562-944-0225
www.crystallighting.us

All products are proudly manufactured and/or assembled in the USA